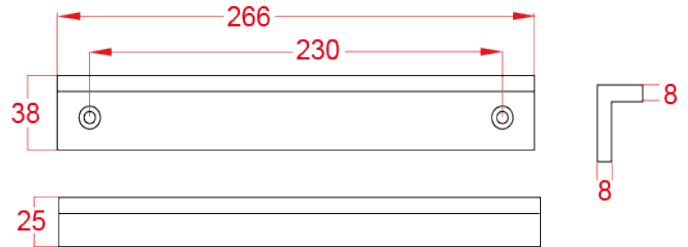


L ANGLE BRACKET - MAGLOC-LB200



MAGLOC-LB200

- MAGLOC-LB200: 266L*38W*25D mm



ORDERING INFORMATION

EXAMPLE :

- MAGLOC-LB200 : Angle bracket for maglocks installation

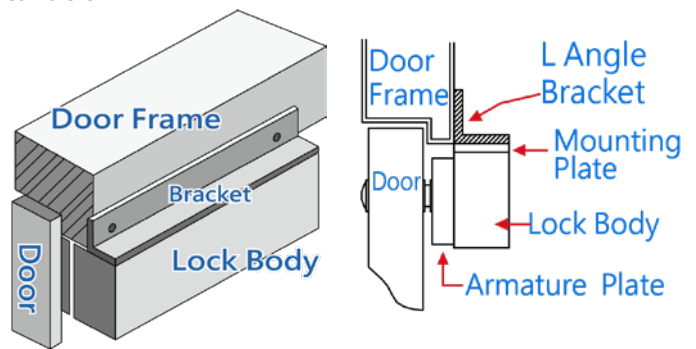
SPECIFICATION

- Material : Aluminum
- Finish : Anodized Finish

FEATURES

- Enhances the door frame to reach the required width for the installation of magnetic locks
- Applicable for out-swing door

INSTALLATION



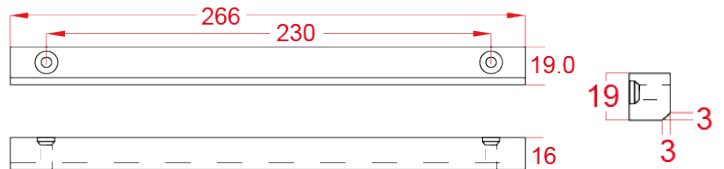
FILLER BAR - MAGLOC-ABL & MAGLOC ABS



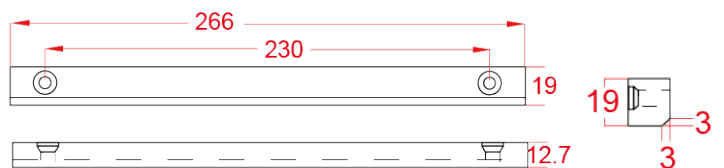
MAGLOC-ABL

MAGLOC-ABS

- MAGLOC-ABL: 266L*19W*16D mm



- MAGLOC-ABS: 266L*19W*12.7D mm



ORDERING INFORMATION

EXAMPLE :

- MAGLOC-ABL: For Surface mount maglocks
- MAGLOC-ABS: For Surface mount maglocks

SPECIFICATION

- Material : Aluminum
- Finish : Anodized Finish

FEATURES

- To fill up the gap between the door frame and the magnetic lock, for a clear installation
- Suitable for out-swing door

INSTALLATION

