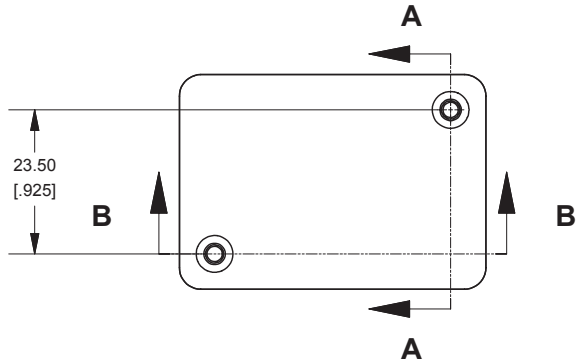
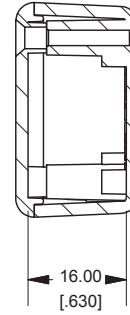


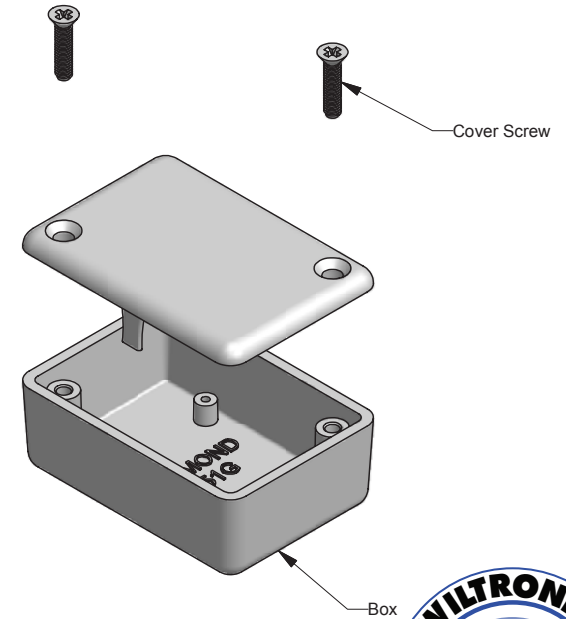
Top View of Assembly



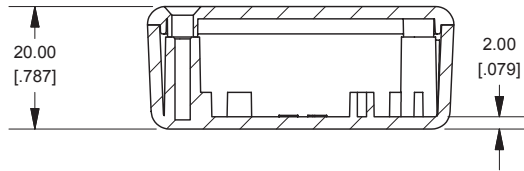
SECTION A-A End View of Assembly



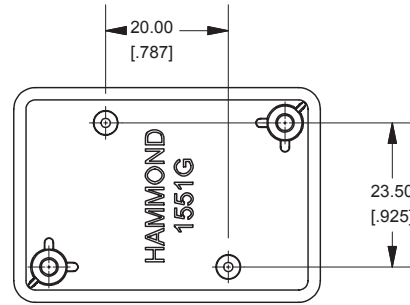
1551G (Basic)



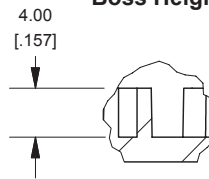
SECTION B-B Side View of Assembly



Top View Looking Inside Box

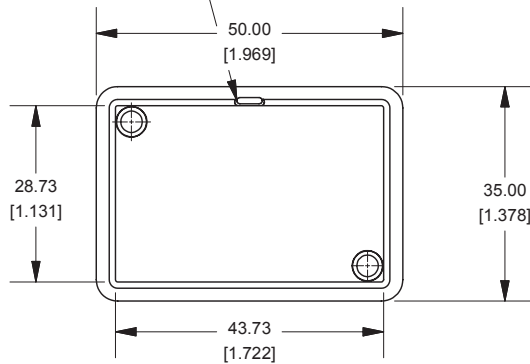


SECTION C-C Boss Heights

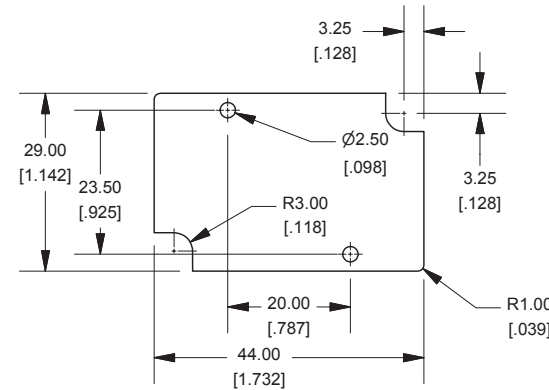


Note: Enclosure Lid may come with "gate" tab still intact. This tab is easily removed if necessary

Lid



Maximum P.C. Board Size



NOTE
Purchased assembly includes lid and box made from GP ABS material and cover screws.

1551G	
1551G Enclosure	
Black Enclosure - RAL 7011	1551GBK
Gray Enclosure - RAL 7035	1551GGY
ACCESSORIES	
Black Enclosure Cover Screws (Pkg 100) [#4 X 1/2" Self Tapping]	1591TS100BK
Gray Enclosure Cover Screws (Pkg 100) [#4 X 1/2" Self Tapping]	1591TS100
P.C. Board Screws [#2 X 3/16" Self-Tapping]	1551ATS100 (Pkg 100)

