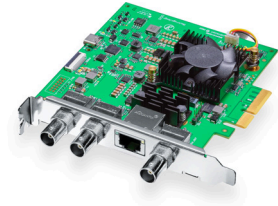


DeckLink IP/SDI HD



A\$625

Connect to both 3G-SDI and 2110 IP systems with DeckLink IP/SDI HD. It has 2 capture and playback channels to 2110 IP via RJ45 Ethernet, 2 direction configurable 3G-SDI connections and reference out. It is designed to work with the highest quality video with support for capture and playback to popular video formats such as Apple ProRes, DNxHD or even 10-bit uncompressed, and supports 525i, 625i, 720p, 1080i and 1080p video standards up to 1080p60.

Connections

SDI Ports

2 x bidirectional 12-bit SD/HD independently configurable as either Input or Output.
16 channels audio embedded in SD and HD.

10G Ethernet Port

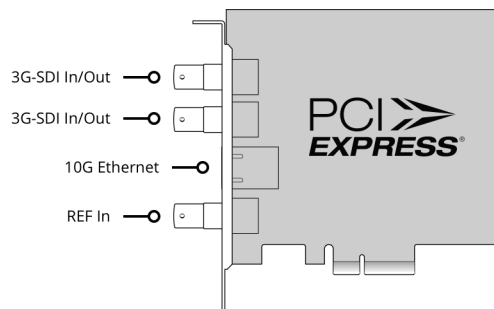
1 x 10G BASE-T
10G ethernet supports 2 input channels and 2 output channels, each up to 1080p60 with 16 audio channels.

Sync Output

Tri-Sync or Black Burst.

Computer Interface

PCI Express 4 lane generation 2, compatible with 4, 8 and 16 lane PCI Express slots.



Supported Codecs

AVC-Intra, AVCHD, Canon XF MPEG2,
Digital SLR, DV-NTSC, DV-PAL,
DVCPRO50, DVCPROHD, DPX, HDV,
HEVC, XDCAM EX, XDCAM HD,
XDCAM HD422, DNxHR & DNxHD,
Apple ProRes 4444,
Apple ProRes 422 HQ,
Apple ProRes 422, Apple ProRes LT,
Apple ProRes 422 Proxy,
Uncompressed 8-bit 4:2:2,
Uncompressed 10-bit 4:2:2,
Uncompressed 10-bit 4:4:4

Software

Software Included

Media Express, Disk Speed Test,
LiveKey, Blackmagic Desktop Video
Utility and Blackmagic driver on
Mac OS and Windows. Media Express,
Blackmagic Desktop Video Utility and
Blackmagic driver on Linux.

Internal Software Upgrade

Firmware built into software driver.
Loaded at system start or via
updater software.

Physical Installation

PCI Express 4 lane generation 2,
compatible with 4 and 8 lane PCI
Express slots on Mac OS, Windows
and Linux. Mac OS systems require
a Mac Pro computer with PCI Express
slots. Please check the Support pages
to see the full system requirements.

Software Applications



DaVinci Resolve



Fusion



Final Cut Pro



Adobe Premiere Pro



Avid Media Composer



Adobe After Effects



Avid Pro Tools



Steinberg Cubase



Steinberg Nuendo



Adobe Photoshop

These are third party applications and support may vary, check with your software vendor.

Video Standards

SD Video Standards

525i59.94 NTSC, 625i50 PAL

HD Video Standards

720p50, 720p59.94, 720p60
1080i50, 1080i59.94, 1080i60
1080p23.98, 1080p24, 1080p25,
1080p29.97, 1080p30, 1080p50,
1080p59, 1080p59.94, 1080p60
1080PsF23.98*, 1080PsF24*,
1080PsF25*, 1080PsF29.97*,
1080PsF30*

* PsF SDI ONLY

SDI Compliance

SMPTE 259M, SMPTE 292M, SMPTE
296M, SMPTE 424M, SMPTE 425M,
level A and B, ITU-R BT.656 and ITU-R
BT.601.

SDI Metadata Support

RP 188/SMPTE 12M-2 and closed
captioning.

Audio Sampling

Television standard sample rate of 48
kHz and 24 bit.

Color Precision

8, 10, 12-bit RGB 4:4:4 in all modes up
to 1080p30 and 8, 10-bit YUV 4:2:2 in
all modes.

Color Space

REC 601, REC 709, REC 2020

HDR Support

HDR static metadata packing, HLG
and PQ transfer characteristics.

IP Video Compliance

SMPTE 2110-20 (Uncompressed Video)

IGMP v2

SMPTE 2110-21 (Traffic Shaping)

Sender: Narrow
Receiver: Narrow, Wide Synchronous,
Asynchronous

SMPTE 2110-30 (PCM)

Audio Conformance level: Level C

SMPTE 2110-40 (Ancillary Data)

Full access to entire SMPTE ancillary
data stream. Includes RP 188/SMPTE
12M-2, closed captioning and HDR
static metadata.

Precision Time Protocol

IEEE 1588-2008 (PTP v2)
ST 2059-1
ST 2059-2

NMOS IS-04 Discovery and Registration

v1.3.2
Peer-to-peer via mDNS/DNS-SD

NMOS IS-05 Connection Management

v1.1.2

NMOS BCP-002-01

Natural Grouping

NMOS BCP-004-01

Receiver capabilities

Processing

Colorspace Conversion

Hardware based real time.

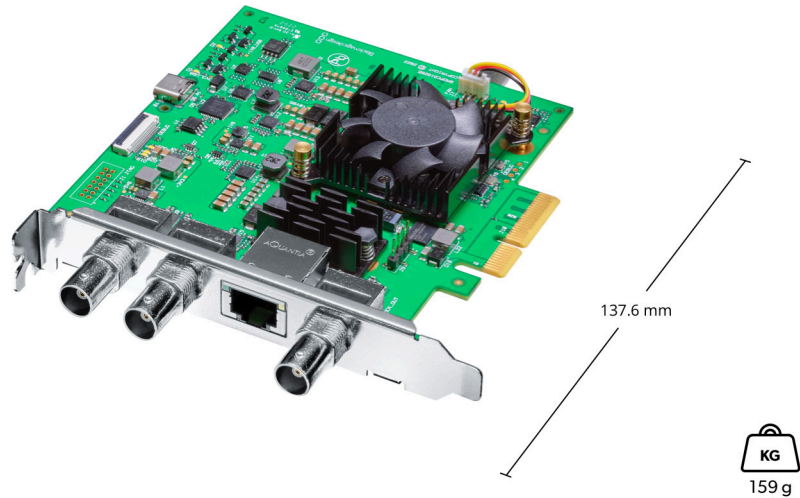
Real Time Effects

DaVinci Resolve, Final Cut Pro internal
effects. Adobe Premiere Pro CC
Mercury Playback Engine effects. Avid
Media Composer internal effects.

Physical Installation

PCI Express full height.

Physical Specifications



Operating Systems



Mac 12.0 Monterey,
Mac 13.0 Ventura or later.



Windows 10, 64-bit.
Windows 11.



Linux

Power Requirements

Power Consumption

10 Watts

Environmental Specifications

Operating Temperature

5° to 40 ° C (32° to 104° F)

Storage Temperature

-20° to 45° C (-4° to 113° F)

Relative Humidity

0% to 90% non-condensing

What's Included

DeckLink IP/SDI HD

Welcome wallet with QR code for software download

Warranty

3 Year Limited Manufacturer's Warranty

All items on this website are copyright Blackmagic Design Pty. Ltd. 2023, all rights reserved.
All trademarks are property of their respective owners. MSRP includes GST and excludes shipping costs.
This website uses remarketing services to advertise on third party websites to previous visitors to our site.
You can opt out at any time by changing cookie settings. [Privacy Policy](#)

Blackmagic Design Authorized Reseller