

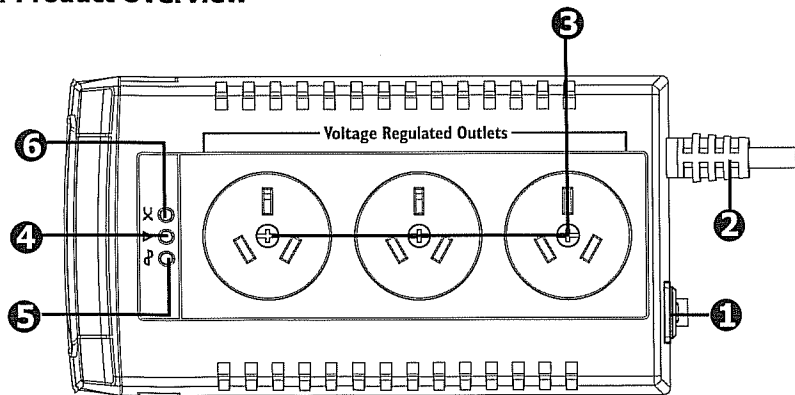
1. Introduction

Thank you for purchasing the VoltGuard PSVG1500, Automatic Voltage Regulator (AVR). AVR-protected sockets will automatically maintain a constant voltage range to protect sensitive electronics from brownouts and over voltages. The VoltGuard PSVG1500 can easily be installed on a desk or wall mounting to minimize the foot print in limited work spaces.

Features:

- Provides AVR-protected sockets
- Provides stable output voltage through boost and buck stabilizer
- Accepts wide input voltage range
- Provides over-/under-voltage protection
- Provides Over-temperature protection

2. Product Overview



- ① Power switch
- ② AC input
- ③ AVR-protected output receptacles
- ④ Over/under LED: red
- ⑤ Power LED: green
- ⑥ AVR LED: yellow

3. Installation and Initial Startup

Inspection

Remove the unit from the shipping package and inspect it for damage that may have occurred during transportation. Notify the carrier and place of purchase if any damage is found.



Placement & Storage Conditions

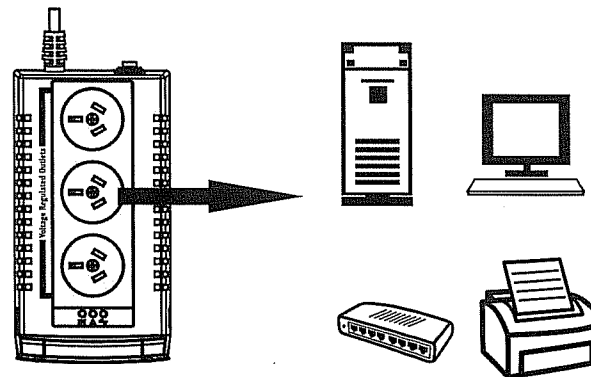
Install the unit in a protected area that is free of excessive dust and has adequate air flow. Please place the unit away from other units at least 2.5cm to avoid interference. Do NOT block the top or side air vents on the unit. Do not operate the unit in an environment where the ambient temperature or humidity is outside the limits listed in the specifications. Operate the unit in an environment free of excessive dust, mechanical vibration, inflammable gases and explosive or corrosive atmospheres.

Connect to the Wall Outlet

Plug the input power cord of the unit to the wall outlet.

Connect the Loads

The AVR-protected receptacles will provide stable power to connected devices by boosting and bucking the input voltage. Therefore, simply connect sensitive loads to AVR-protected receptacles.



Turn On/Off the Unit

Turn on the unit by pressing the power switch to "RESET" position. Then, all connected devices will be powered on.

4. Mounting Unit

The unit can be mounted to a wall surface. There are two ways to position the unit: vertically and horizontally.

1. Use a ruler to draw a straight line in 114 mm vertically or horizontally on the wall.
2. Use a sharp nail to puncture the center of the two ends to mark the wall.
(see below chart 1 as placing the unit horizontally)
3. Mount the unit by positioning the key-hole slots over the mounting nails. (see chart 2 and chart 3)

Chart 1

114 mm distance between 2 holes

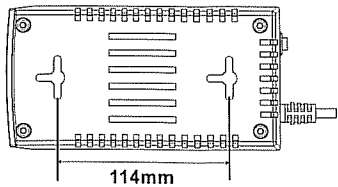


Chart 2

Mounting horizontally

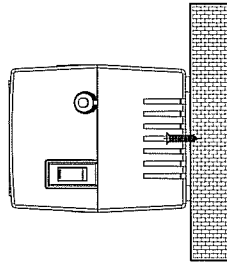
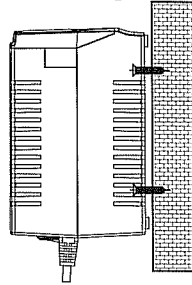


Chart 3

Mounting vertically



5. Applications

CAUTION: The total power consumption of all equipment plugged into the voltage regulator must not exceed its capacity*. A total load in excess of its capacity* will cause the fuse/circuit breaker to fault (blow).

*For the capacity of unit, please check the specifications.

The voltage regulator is designed for use with voltage sensitive equipment such as: a home computer, monitor, inkjet printer, scanner or fax. It is also designed for use with home electronics equipment such as television, stereos, CD players, VCRs, and DVD players, data processing equipment, modems, typewriters, calculators, and telephone equipment.

Appliances not suitable for use with the product are items such as freezers, power tools, air conditioners, dehumidifiers, blenders, or any device that employs an AC motor for operation. Not for use with small fuel generators. Also excluded are life sustaining equipment.

When using the voltage regulator with an Uninterruptible Power Supply (UPS), connect the UPS to the output of this product, then connect the product to the wall outlet.

6. Important Safety Warning (SAVE THESE INSTRUCTIONS)

To safely operate this voltage regulator, please read and follow all instructions carefully. Read this manual thoroughly before attempting to unpack, install, or operate. Please keep this quick guide for further reference.

CAUTION: The unit is designed only for use under 50 Hz input frequency and pure sine wave environment. Any other input frequency or wave form will effect the voltage range and load capability.

CAUTION: Please DO NOT connect the unit to a supply source of direct current (DC) or simulated sine wave.

CAUTION! To prevent the risk of fire or electric shock, install in a temperature and humidity controlled indoor area free of conductive contaminants. (See the specifications for the acceptable temperature and humidity range.)

7 Specifications

Model	1500
CAPACITY	1500VA/750W
INPUT	
Voltage	240 VAC
Voltage Range	184-284 VAC
Frequency	50 Hz
OUTPUT	
Voltage	240 VAC
Voltage Regulation	± 10%
Output Receptacles	Australian
INDICATOR	
Power LED	Green ON
AVR LED	Yellow ON
Over/Under LED	Red ON
PHYSICAL	
Dimension (DxWxH)	180 x 95 x 114 mm
Net Weight (kgs)	1.96
ENVIRONMENT	
Humidity	0-90 % RH @ 0-40° C (non-condensing)
Noise Level	Less than 40 dB
PROTECTION	
	Overload, Over/Under-voltage, Over temperature
Surge	312 Joules @ 6500 Amps
Safety	EN62040-1-1 2003, IEC60950-1: 2001
EMC	EN62040-2 2006