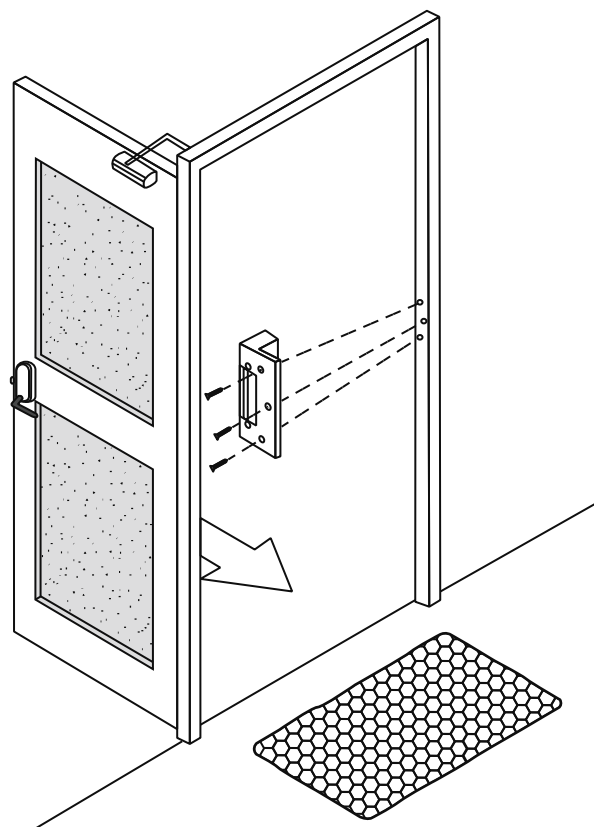
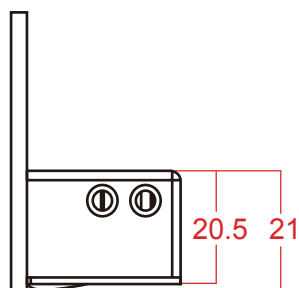
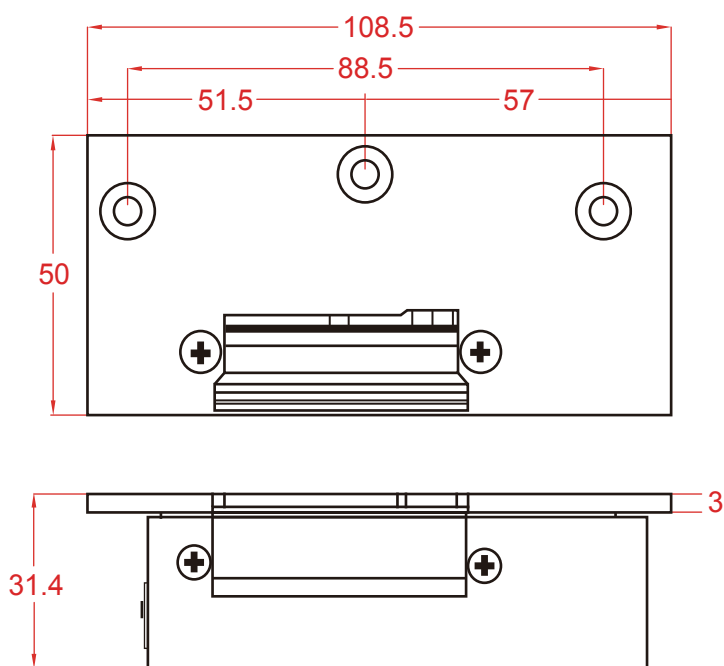


# ACLOC101 Surface Mount Electric Door Strike

1. Connect wires coming from the low voltage side of the transformer to terminal block of door strike.
2. Install Electric door strike to jamb. with 3pcs M5 screws.

- ACLOC101: 108.5Lx50Wx31.4H mm  
Keeper Depth: 9.6 mm



## Specifications:

VOLTAGE : 12VDC  
CURRENT : 400 mA

VOLTAGE : 24VDC  
CURRENT : 250 mA