

Dimensions of diagram		
Part Number	L	B
WT1	0.8x6.4	6.6
WT2	0.8x6.4	6.6
WT5	0.8x6.4	6.6

**NOTE:**

**WT1**

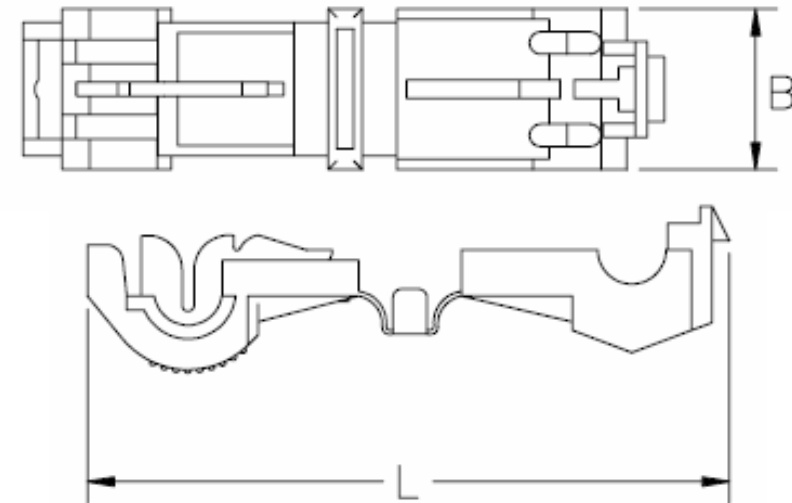
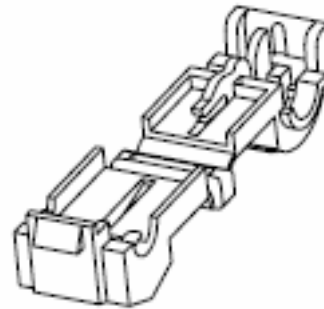
1. WIRE RANGE: AWG 22-18 0.5-1.0mm<sup>2</sup>
2. WIRE SIZE: 0.25-1.65mm<sup>2</sup>
3. INSULATED COLOUR: RED

**WT2**

1. WIRE RANGE: AWG 18-14 1.0-2.5mm<sup>2</sup>
2. WIRE SIZE: 1.04-2.63mm<sup>2</sup>
3. INSULATED COLOUR: BLUE

**WT5**

1. WIRE RANGE: AWG 12 4mm<sup>2</sup>
2. WIRE SIZE: 2.63-6.64mm<sup>2</sup>
3. INSULATED COLOUR: YELLOW

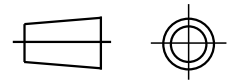


PART NAME	WIRE TAPS	APPROVED	Zig		MATERIAL	INSULATION: NYLON MATERIAL: BRASS TIN PLATED
PART NO.	WT1 WT2 WT5	CHECK			SHEET	1/1
		DRAW	Liana			

DATE	DRAW	APPROVED	ECN NO.
18/01/2016	Liana	Zig	



1300 304 451  
www.pacificcomponents.com.au



Spec