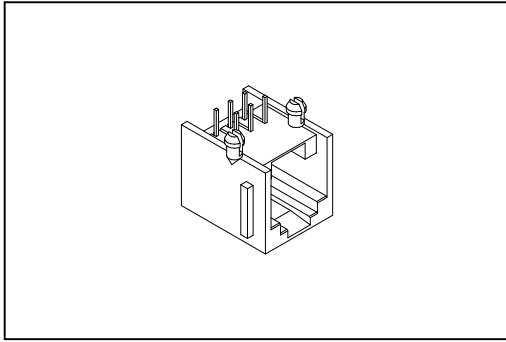


# 8949-F Series

## Modular Jack Side Entry Dip Type



### Material:

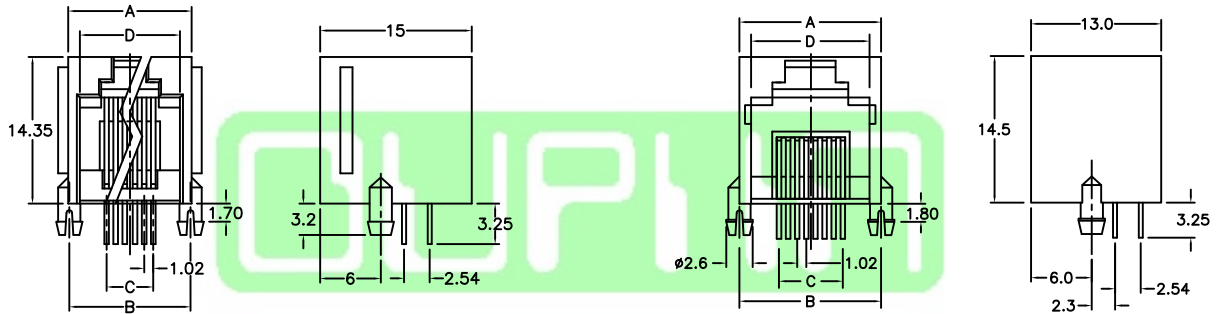
Housing: Thermoplastic Polyester Glass Filled UL94V-0.  
 Contacts: Copper Alloy.  
 Plating: Gold plated on contact area over Nickel.

### Electrical Characteristics:

Current Rating: 1.5 A.  
 Insulator Resistance: 1000M $\Omega$  min.  
 Contact Resistance: 30m $\Omega$  max.  
 Operating Temperature: -40°C~+85°C.

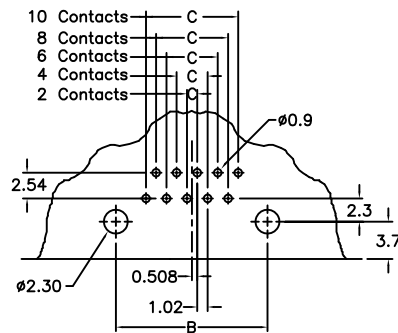
### Features:

- \* 50 $\mu$ " gold meets FCC 68 requirements.
- \* Available in 4, 6, 8 position housing.
- \* Industry compatible profiles and foot prints.
- \* Available in selective loading.
- \* Contact pre-loaded and self aligned.



F Type

F1 Type



P.C. Board Layout

F Type

No. of Position	No. of Contacts	Dimensions			
		A	B	C	D
4	4	12.20	12.00	3.06	7.80
6	2	12.20	12.00	1.02	9.80
6	4	12.20	12.00	3.06	9.80
6	6	12.20	12.00	5.10	9.80

F1 Type

No. of Position	No. of Contacts	Dimensions			
		A	B	C	D
4	4	10.00	10.00	3.06	7.80
6	2	12.20	12.00	1.02	9.80
6	4	12.20	12.00	3.06	9.80
6	6	12.20	12.00	5.10	9.80
8	8	15.00	15.00	7.14	12.20
10	10	15.00	15.00	9.18	12.20

## Ordering information

8949-	<u>F</u>	<u>4</u>	<u>4</u>	<u>/06</u>	<u>Y</u>	<u>F</u>	<u>A</u>
Series	F: F Type F1: F1 Type	4: 4 Position 6: 6 Position 8: 8 Position 10: 10 Position	2: 2 Contacts 4: 4 Contacts 6: 6 Contacts 8: 8 Contacts 10: 10 Contacts	06: 06 $\mu$ " Gold Plated 15: 15 $\mu$ " Gold Plated 30: 30 $\mu$ " Gold Plated 50: 50 $\mu$ " Gold Plated	Y: Grey B: Black	*F: With Flange N: W/O Flange	A: Tray Package

\* With flange only for F Type