

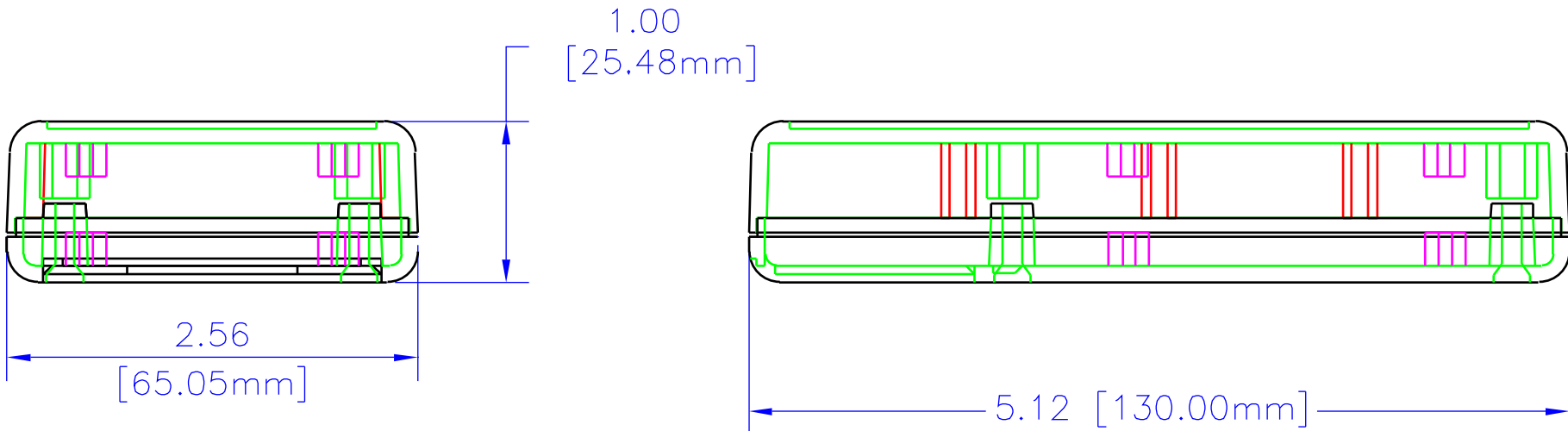
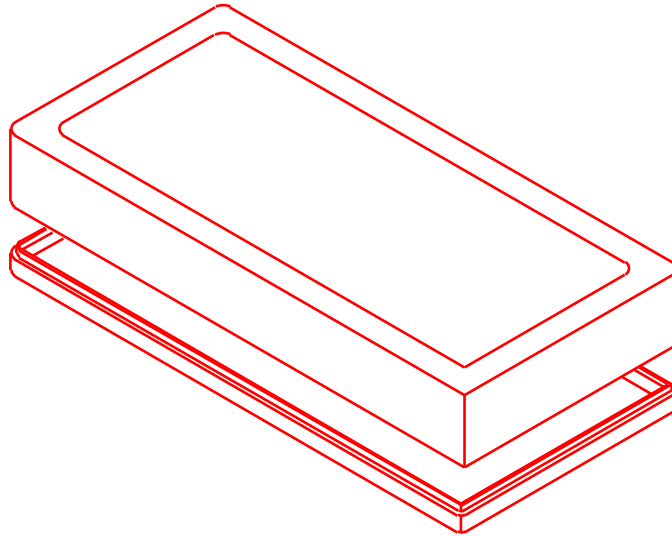
REV	DESCRIPTION	DATE

NOTES

MATERIAL (ABS) FLAME RETARDANT UL94 VO MATERIAL WITH BRASS INSERTS IN CORNER POSTS, (STYRENE) IS NON-FLAME RETARDANT WITHOUT BRASS INSERTS,

PARTS (ABS) VERSION MACHINE SCREWS M3-0.5 x 28mm, REPLACEMENT PN 1599HMS100 (100 / BAG), (STYRENE) VERSION SELF TAPPING #4 x 1.3125", REPLACEMENT PN 1599HTS100 (100 / BAG),

COLORS (ABS) BLACK, & GRAY, (STYRENE) GRAY ONLY,



ASSEMBLED

UNLESS OTHERWISE SPECIFIED
DIMENSIONS ARE IN INCHES
X +/- .1
XX +/- .02
XXX +/- .015
DITS +/- .005
ANGLES +/- .5 DEG.
NOTES
HAMMOND CLAIMS PROPRIETARY RIGHTS TO THE MATERIAL ON THIS DRAWING. IT IS INTENDED TO BE USED AS A REFERENCE FOR REORDERING INFORMATION ONLY. THIS INFORMATION MAY NOT BE USED TO MANUFACTURE PRODUCTS WITHOUT WRITTEN PERMISSION FROM HAMMOND MANUFACTURING.

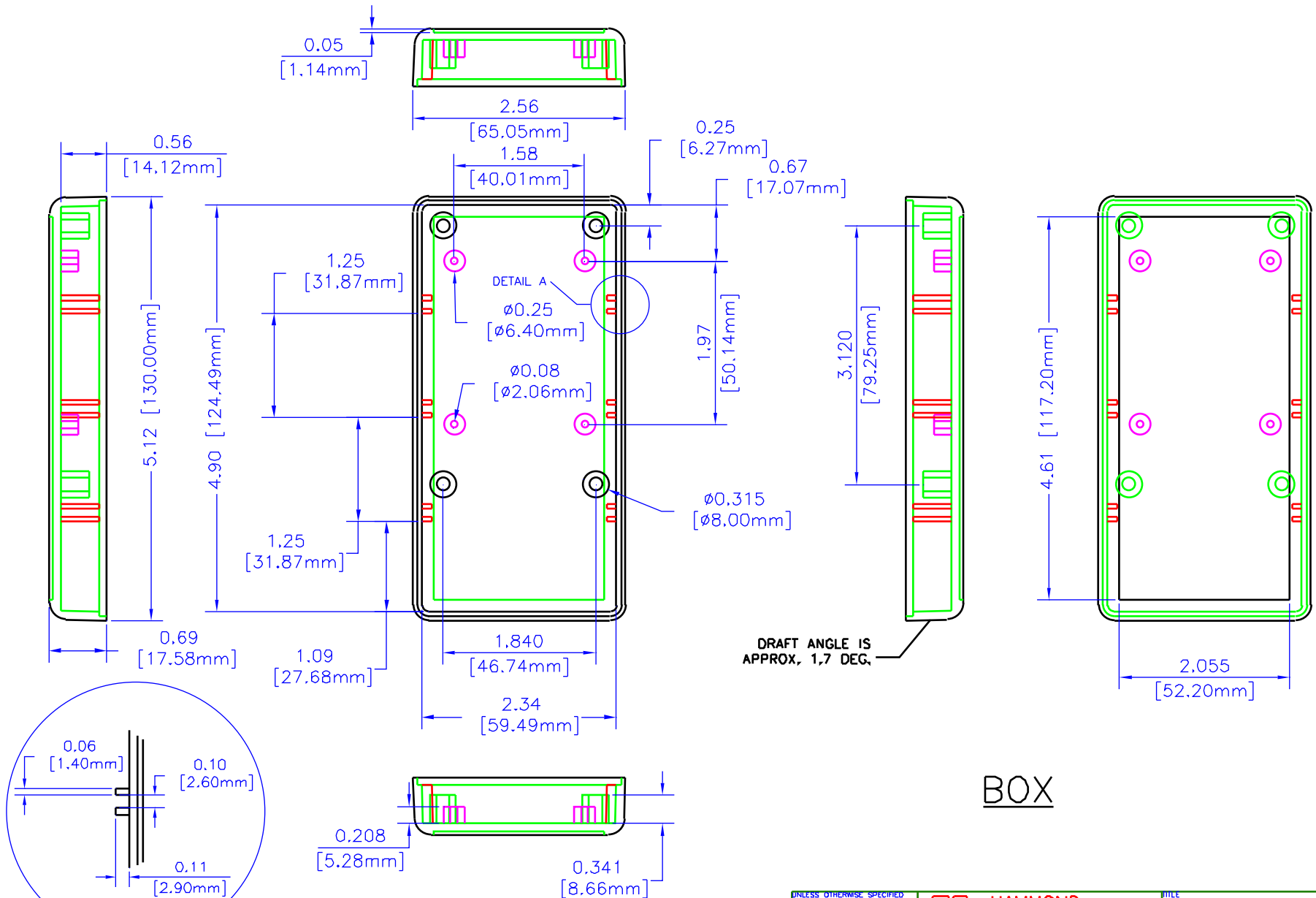


**HAMMOND
MANUFACTURING**

WEB: WWW.HAMMONDMFG.COM

TITLE
HAMMOND 1599 SERIES
PLASTIC ENCLOSURE
DRAWN BY MJM DATE 07/30/01
SCALE PAGE 1 OF 3
PART NUMBER
1599BBAT

NOTES



BOX

DETAIL A

UNLESS OTHERWISE SPECIFIED
DIMENSIONS ARE IN INCHES
X +/- .1
XX +/- .02
XXX +/- .015
SLITS +/- .005
ANGLES +/- .5 DEG.



**HAMMOND
MANUFACTURING**

WEB: WWW.HAMMONDMFG.COM

TITLE		HAMMOND 1599 SERIES PLASTIC ENCLOSURE	
DRAWN BY	MJM	DATE	07/30/01
SCALE		PAGE	2 OF 3
PART NUMBER	1599BBAT		

