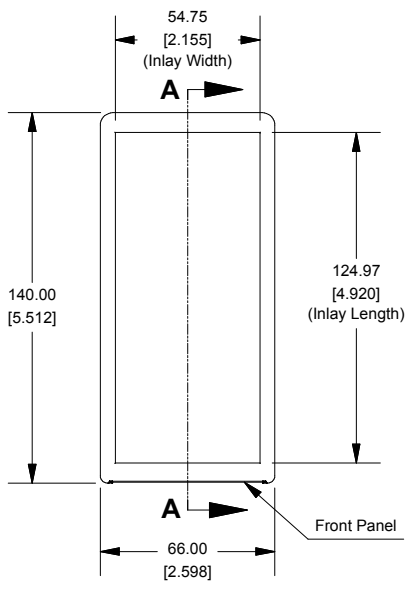
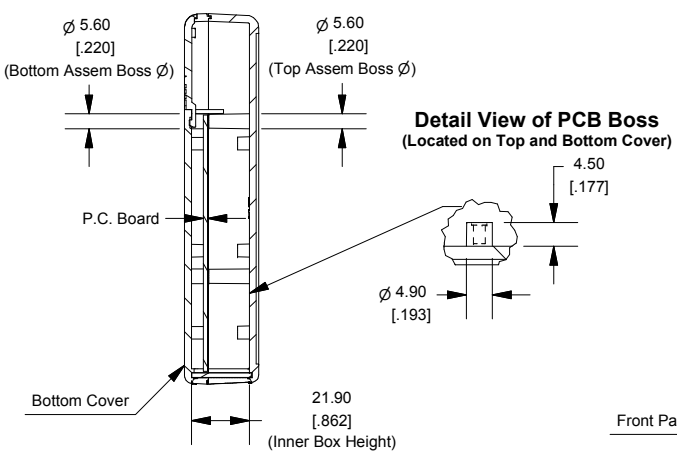


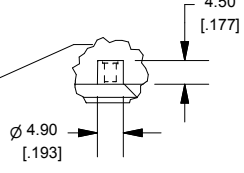
### Top View of Assembly



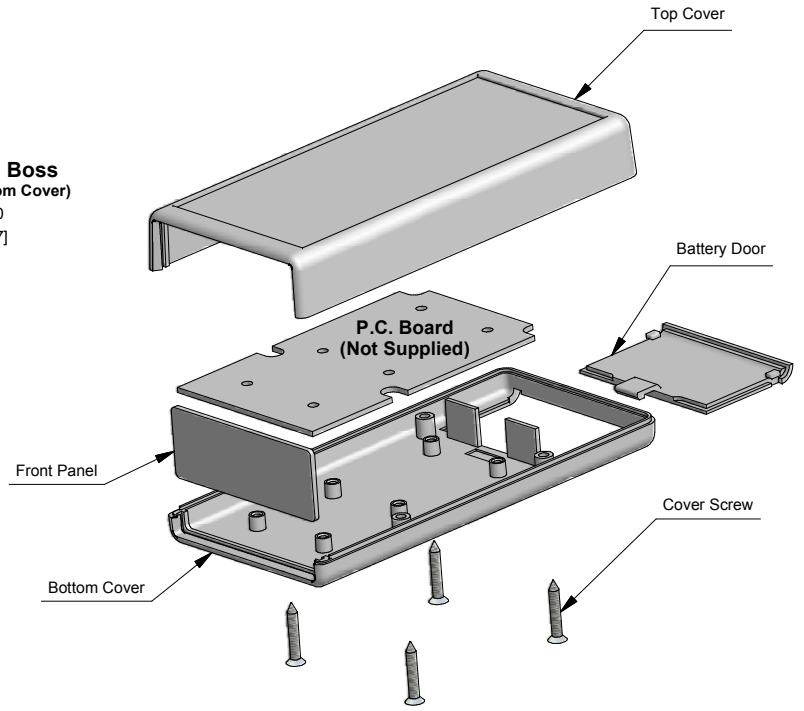
### SECTION A-A (Side View Inside Assembly)



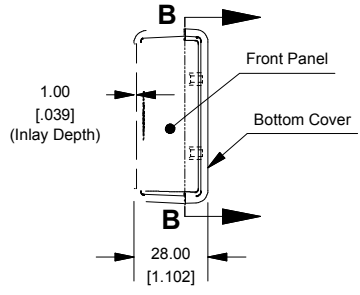
### Detail View of PCB Boss (Located on Top and Bottom Cover)



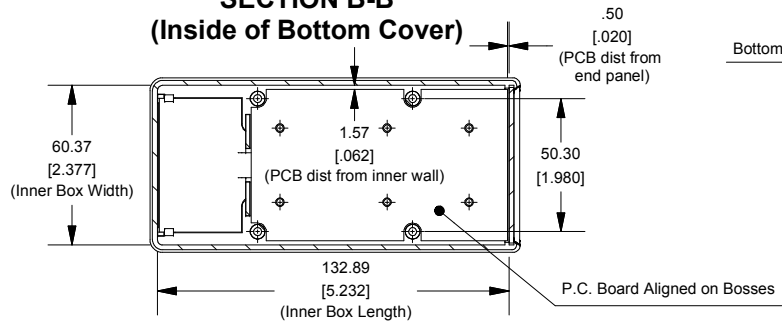
## Hand Held Instrument (1593Y)



### End View of Assembly

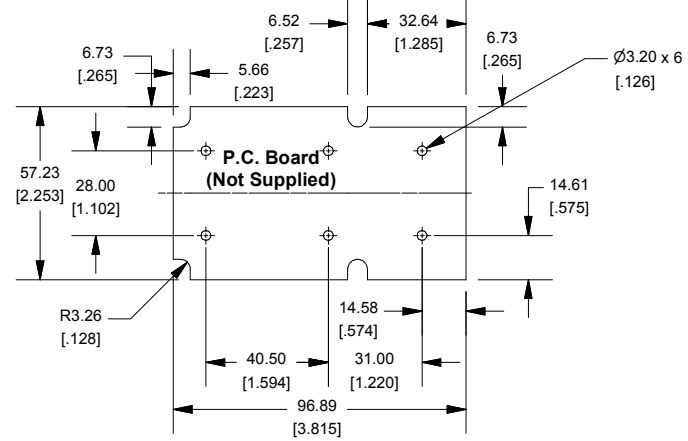


### SECTION B-B (Inside of Bottom Cover)

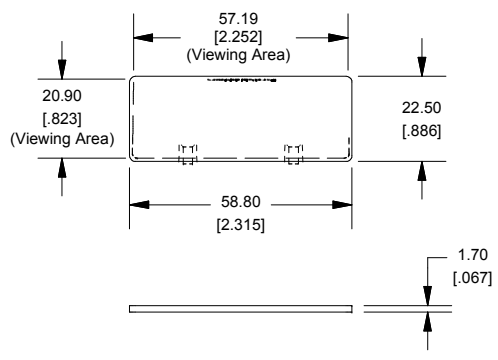


**NOTE**  
 Purchased assembly includes top and bottom cover, front panel (plastic), battery door and 4 cover screws.

### Maximum P.C. Board Size



### Front/Rear Panel (Dashed Line Indicates Viewing Area)



PART NUMBERS	
1593Y Enclosure	
Black Enclosure	1593YBK
Grey Enclosure	1593YGY
ACCESSORIES	
Cover Screws (Pkg 100) [#4 x 3/4" self-tapping oval head (19.1mm)]	1593QS100
P.C. Board Screws [#4 x 1/4" self-tapping (6.4mm)]	1593ATS50 (Pkg 50) 1593ATS100 (Pkg 100)
Belt or Pocket Clip	1599CLIP (Black) 1599CLIPGY (Grey)
Infrared Panels (Pkg 10)	1593PIR10

