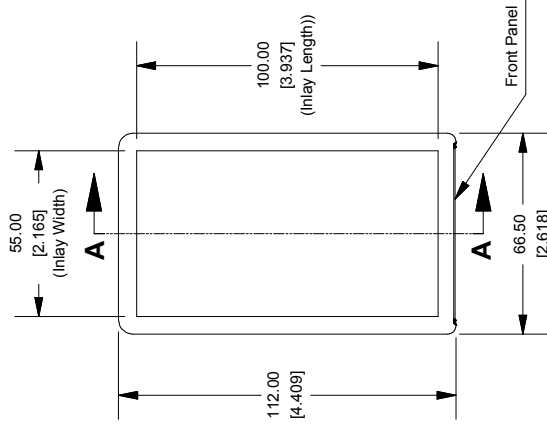
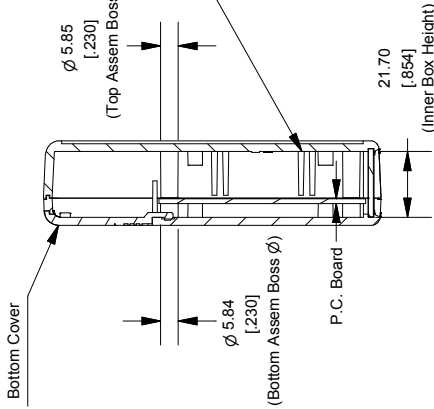


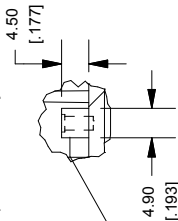
Top View of Assembly



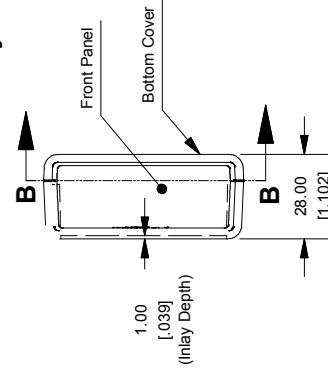
SECTION A-A (Side View Inside Assembly)



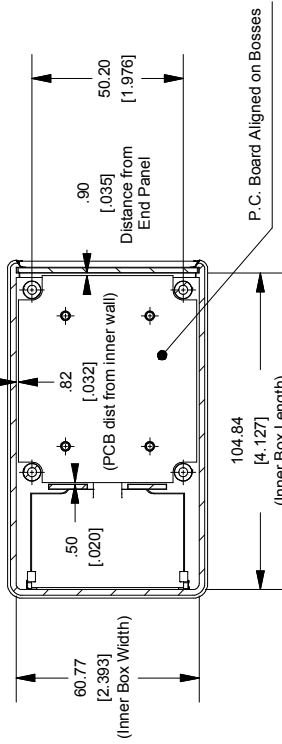
Detail View of PCB Boss (Located on Top and Bottom Cover)



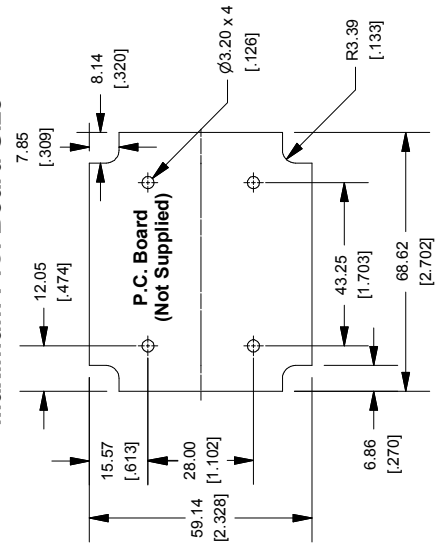
End View of Assembly



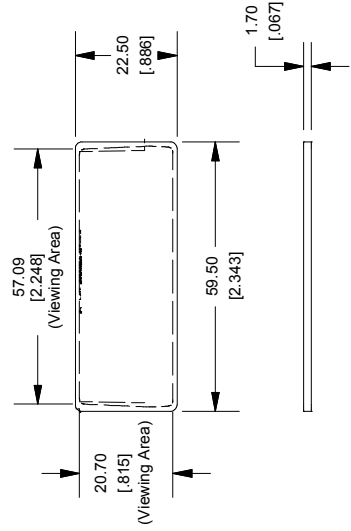
SECTION B-B (Inside of Bottom Cover)



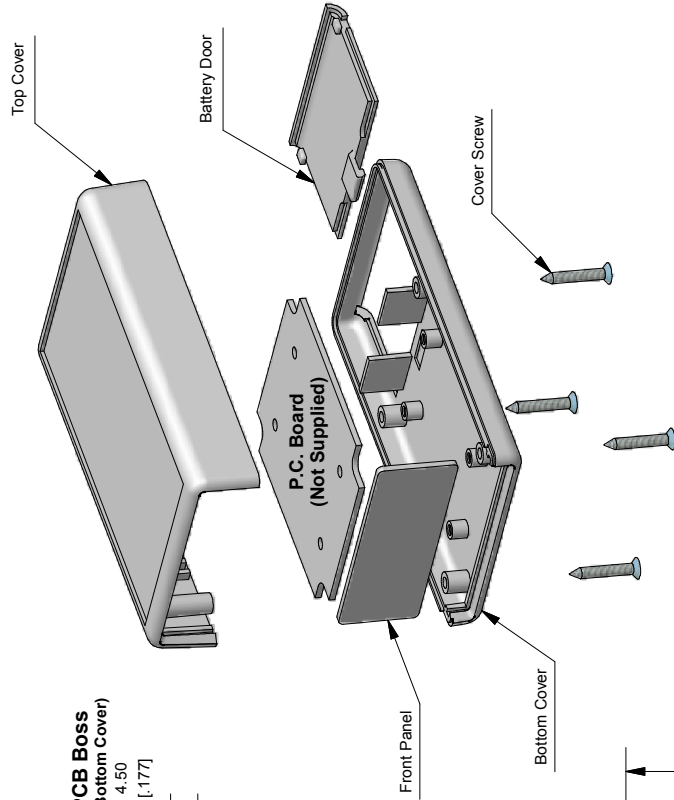
Maximum P.C. Board Size



Front/Rear Panel (Dashed Line Indicates Viewing Area)



Hand Held Instrument (1593Q)



NOTE

Purchased assembly includes top and bottom cover, front panel (plastic), battery door and 4 cover screws.

PART NUMBERS

1593Q Enclosure	
Black Enclosure	1593QBK
Grey Enclosure	1593QGY
ACCESSORIES	
Cover Screws (Pkg 100)	1593QS100
#4 x 3/4" self-tapping oval head (19.1mm)	1593ATS50 (Pkg 50)
P.C. Board Screws	1593ATS100 (Pkg 100)
#4 x 1/4" self-tapping (6.4mm)	1599CLIP (Black)
Belt or Pocket Clip	1599CLIPGY (Grey)
Infrared Panels (Pkg 10)	1593PIR10

HAMMOND
MANUFACTURING™

1593Q

www.hammondmfg.com