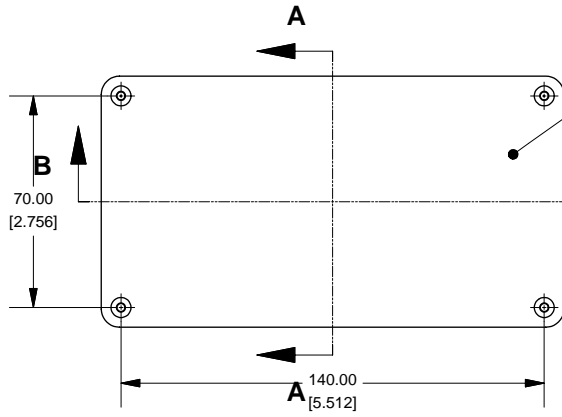
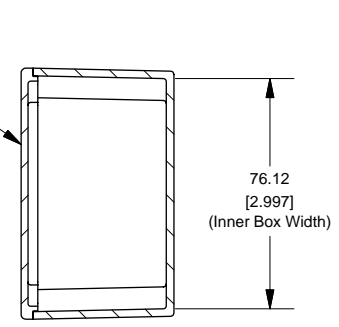


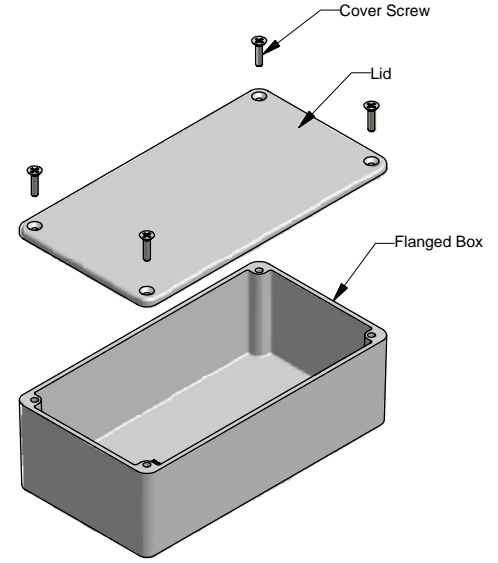
### Top View of Assembly



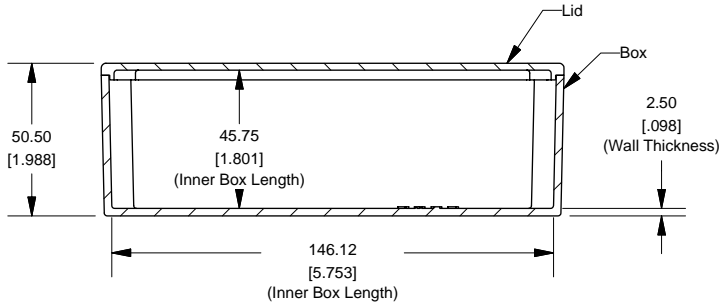
### SECTION A-A End View of Assembly



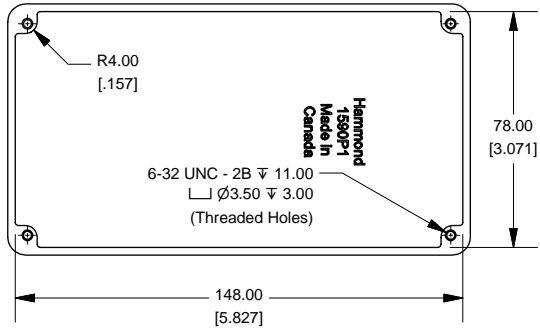
## Series 1590P1



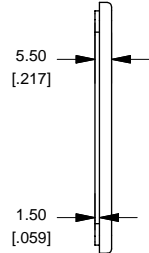
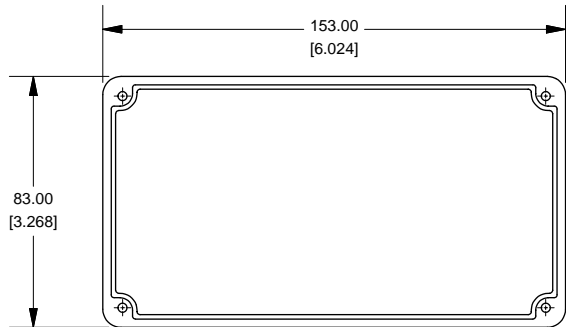
### SECTION B-B Side View of Assembly



### Top View Looking Inside Box



### Lid



**NOTE**  
Purchased assembly includes box, lid and 4 cover screws.  
Box and lid are made from Diecast Aluminum Alloy (alloy type 360.1).

PART NUMBERS	
<b>1590P1 Enclosure</b>	
Unfinished	1590P1
Black Textured Powder Paint	1590P1BK
<b>1590P1 Liquid Resistant Enclosure (Silicon Factory Installed Gasket)</b>	
Unfinished	1590WP1
Black Textured Powder Paint	1590WP1BK
ACCESSORIES	
<b>Unfinished</b>	
Cover Screws (Pkg 100)	
[6-32 x 1/2" Nickel Plated Screws]	1590MS100
Black Textured Powder Paint	
Cover Screws (Pkg 50)	
[6-32 x 1/2" Stainless Steel Black Screws]	1590MS50BK

