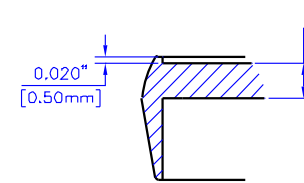
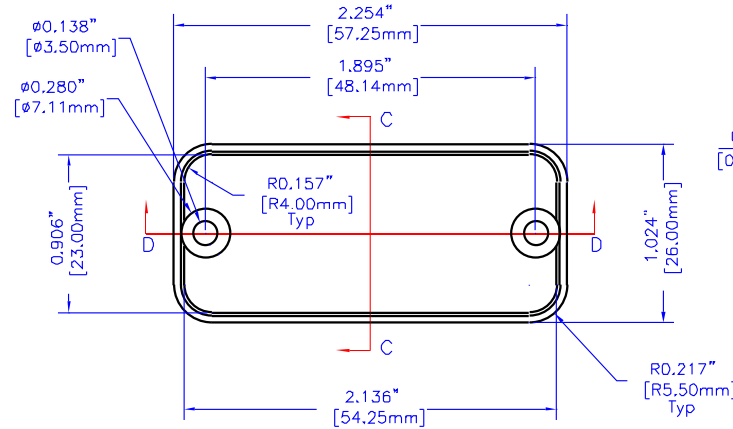
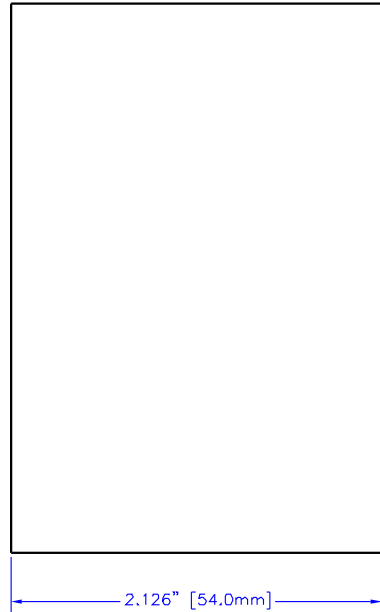


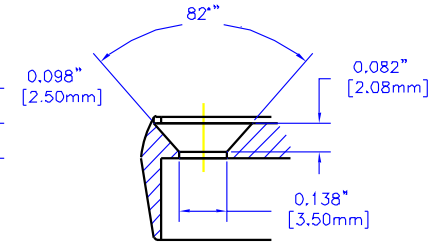


NOTES

Constructed from extruded Al with a minimum thickness of 0.06"(1.5mm)
 Available in clear or Black anodized finish
 Version 2 includes two Black plastic one piece bezel/panels.
 Hardware and self-adhesive rubber feet included.

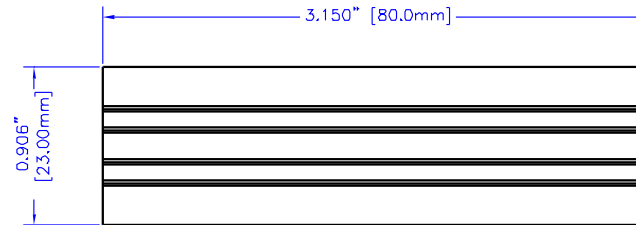
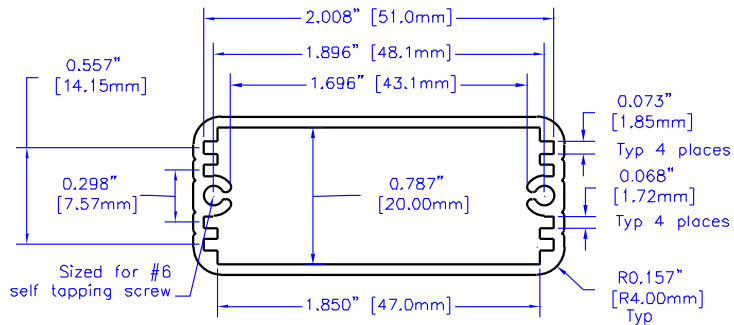


SECTION C-C
SCALE 2:1



SECTION D-D
SCALE 2:1

BEZELS/PANELS



EXTRUSION

For the best fit print on legal size paper.

THIS DRAWING IS PROPRIETARY INFORMATION OF HAMMOND MFG.CO.LTD. NOT TO BE USED WITHOUT EXPRESSED WRITTEN PERMISSION OF HAMMOND MFG.CO.LTD.

Rev	ECN	Description	Date	By

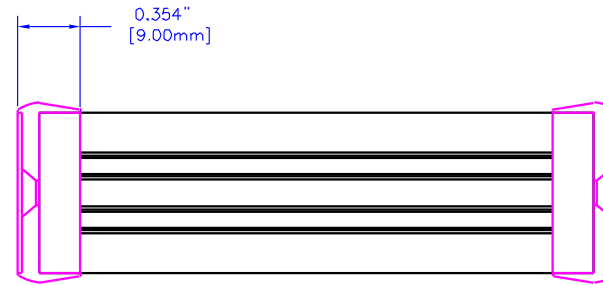
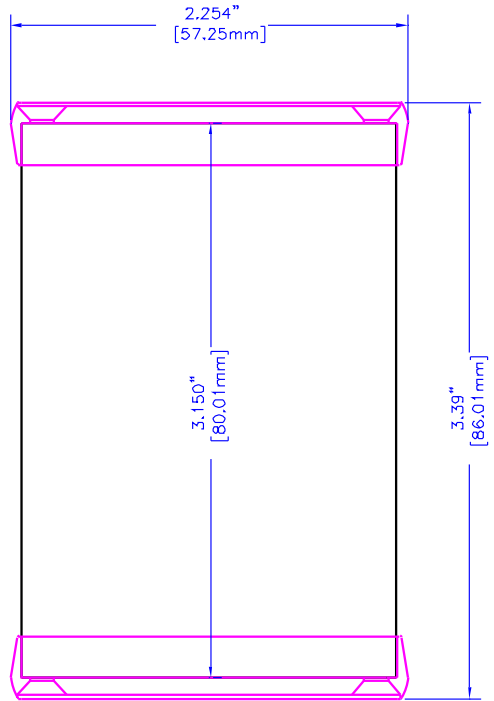
Unless otherwise specified dimensions are in inches
 Tolerances are:
 .X ± .1
 .XX ± .04
 .XXX ± .020
 .XXXX ± .0050
 Holes ± .0050
 Angles ± .5°

Dwn	M. MERCER
Date	01 15 02
Chk	---
Mat'l	Extruded Aluminum
Sheet	1 of 2

HAMMOND MANUFACTURING CO. LTD.
 Electronics Group, Waterloo, Ont. - Cheektawaga, NY

**HAMMOND 1455 SERIES
 EXTRUDED ALUMINUM**

Part#: 1455C802 Dwg: 1455C802A



NOTES

Constructed from extruded Al with a minimum thickness of 0.06"(1.5mm)
 Available in clear or Black anodized finish
 Version 1 includes two Al end panels, and two Black plastic bezels.
 Hardware and self-adhesive rubber feet included.

For the best fit print on legal size paper.

THIS DRAWING IS PROPRIETARY INFORMATION OF HAMMOND MFG.CO.LTD. NOT TO BE USED WITHOUT EXPRESSED WRITTEN PERMISSION OF HAMMOND MFG.CO.LTD.

△	N/A	ADDED BEZELS AND PANELS TO DWG	----	02 05 02	MJM
△	N/A	RELEASE	----	01 15 02	MJM
Rev	ECN	Description		Date	By

Unless otherwise specified dimensions are in inches
 Tolerances are:
 .X ± .1
 .XX ± .04
 .XXX ± .020
 .XXXX ± .0050
 Holes ± .0050
 Angles ± .5°



Drawn	M. MERCER
Date	01 15 02
Chk	---
Mat'l	Extruded Aluminum
Sheet	2 of 2

HAMMOND MANUFACTURING CO. LTD.
 Electronics Group, Waterloo, Ont. - Cheektowaga, NY

**HAMMOND 1455 SERIES
 EXTRUDED ALUMINUM**

Part#: 1455C802

Dwg: 1455C802A