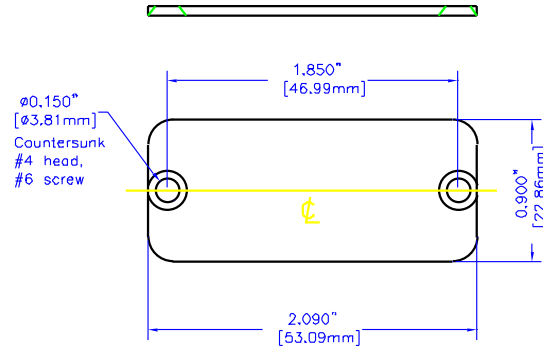


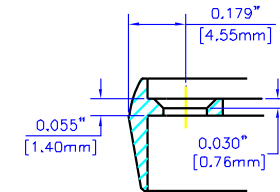


**NOTES**

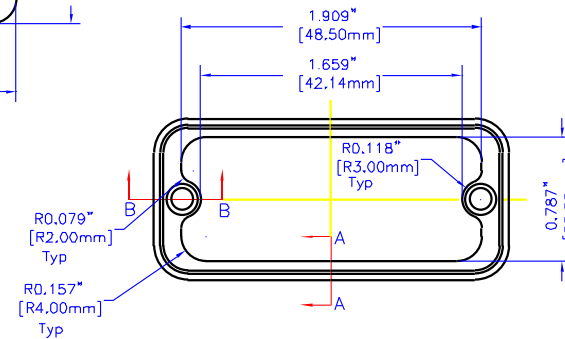
Constructed from extruded Al with a minimum thickness of 0.06"(1.5mm)  
 Available in clear or Black anodized finish  
 Version 1 includes two Al end panels, and two Black plastic bezels.  
 Hardware and self-adhesive rubber feet included.



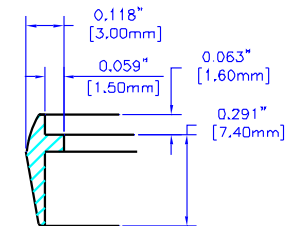
PANELS



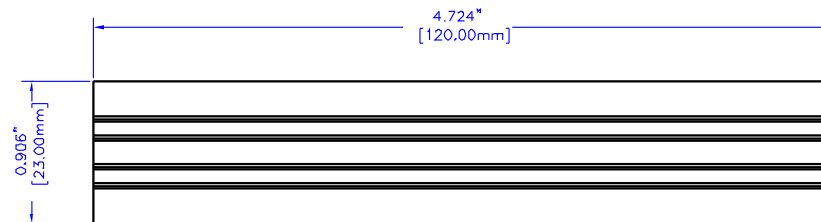
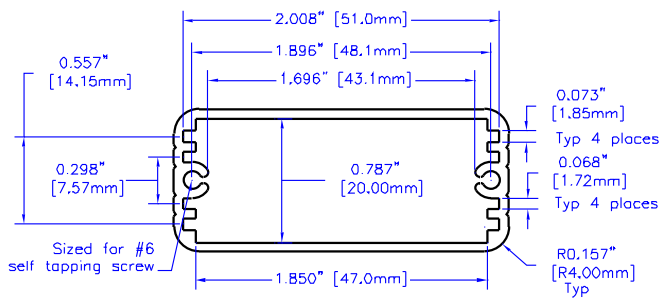
SECTION B-B  
SCALE 2:1



BEZELS



SECTION A-A  
SCALE 2:1



EXTRUSION

For the best fit print on legal size paper.

THIS DRAWING IS PROPRIETARY INFORMATION OF HAMMOND MFG.CO.LTD. NOT TO BE USED WITHOUT EXPRESSED WRITTEN PERMISSION OF HAMMOND MFG.CO.LTD.

Rev	ECN	Description	Date	By
	N/A	ADDED BEZELS AND PANELS TO DWG	02 06 02	MJM
	N/A	RELEASE	01 15 02	MJM

Unless otherwise specified dimensions are in inches  
 Tolerances are:  
 .X ± .1  
 .XX ± .04  
 .XXX ± .020  
 .XXXX ± .0050  
 Holes ± .0050  
 Angles ± .5°

Dwn	M. MERCER
Date	02 06 02
Chk	...
Mat'l	Extruded Aluminum
Sheet	1 of 2

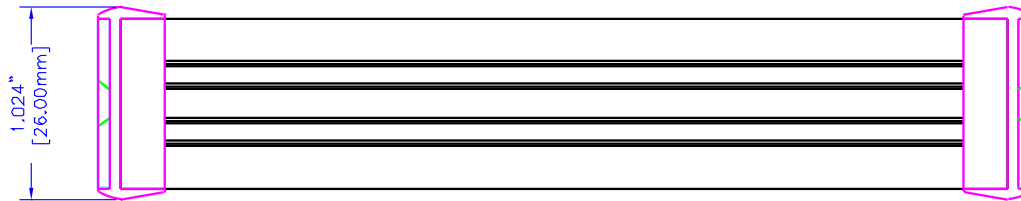
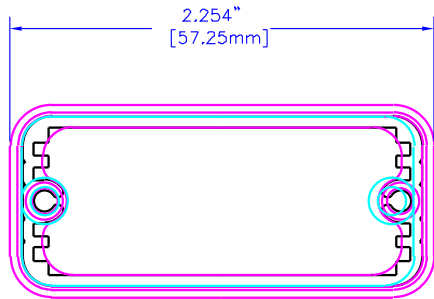
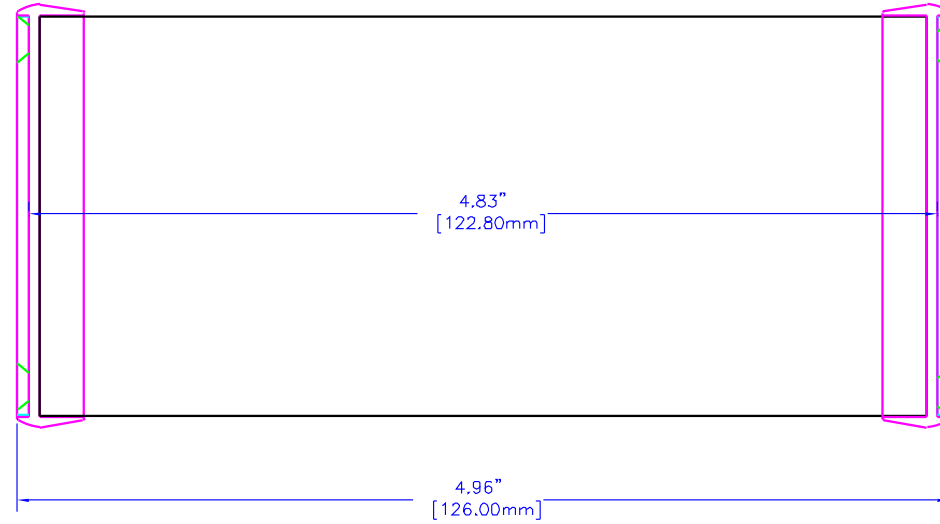
HAMMOND MANUFACTURING CO. LTD.  
 Electronics Group, Waterloo, Ont. - Cheektowaga, NY

**HAMMOND 1455 SERIES  
 EXTRUDED ALUMINUM**

Part#: 1455C1201 Dwg: 1455C1201B

NOTES

Constructed from extruded Al with a minimum thickness of 0.06"(1.5mm)  
 Available in clear or Black anodized finish  
 Version 1 includes two Al end panels, and two Black plastic bezels.  
 Hardware and self-adhesive rubber feet included.



For the best fit print on legal size paper.

THIS DRAWING IS PROPRIETARY INFORMATION OF HAMMOND MFG.CO.LTD. NOT TO BE USED WITHOUT EXPRESSED WRITTEN PERMISSION OF HAMMOND MFG.CO.LTD.

▲	N/A	ADDED BEZELS AND PANELS TO DWG	----	02 06 02	MJM
▲	N/A	RELEASE	----	01 15 02	MJM
Rev	ECN	Description		Date	By

Unless otherwise spec'd dimensions are in inches  
 Tolerances are:  
 .x ± .1  
 .xx ± .04  
 .xxx ± .020  
 .xxxx ± .0050  
 Holes ± .0050  
 Angles ± .5°



Own	M. MERCER
Date	02 06 02
Chk	---
Mat'l	Extruded Aluminum
Sheet	2 of 2

HAMMOND MANUFACTURING CO., LTD.  
 Electronics Group, Waterloo, Ont. - Cheektowago, NY

HAMMOND 1455 SERIES  
 EXTRUDED ALUMINUM

Part#: 1455C1201

Dwg#: 1455C1201B