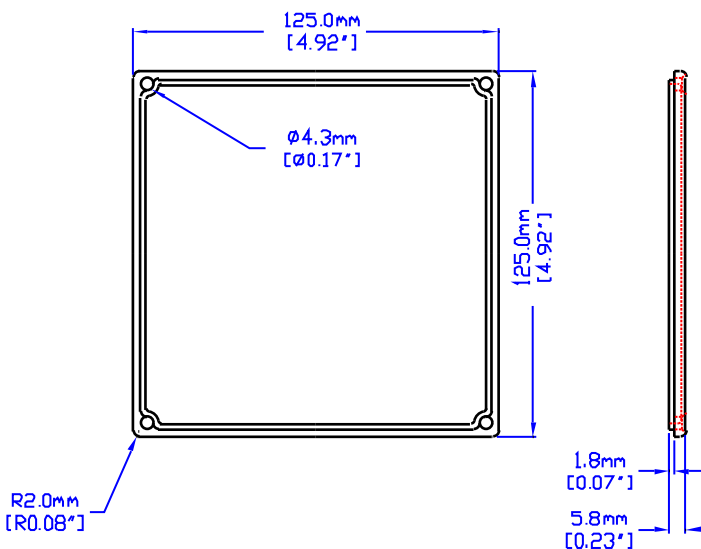
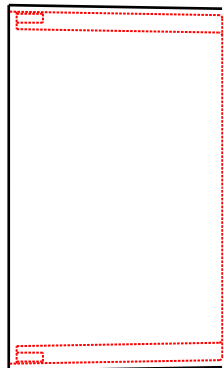
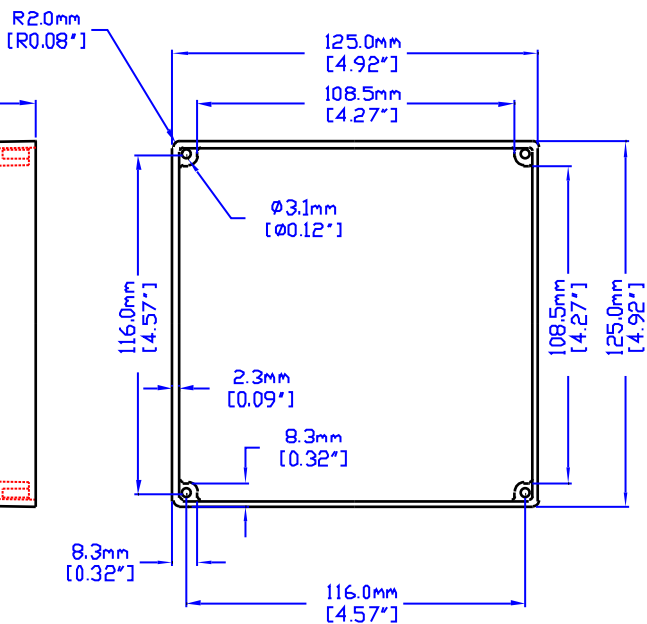
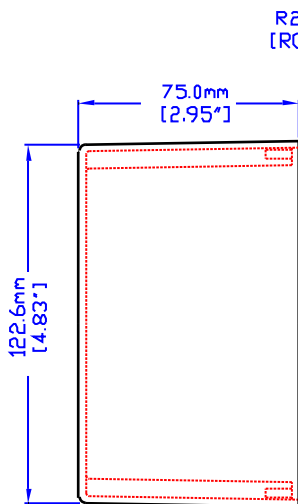
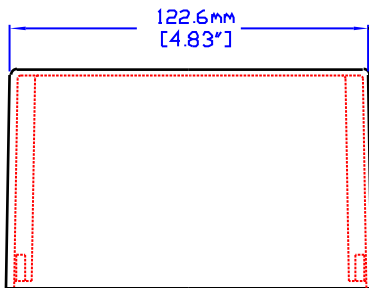


NOTES

MATERIAL: -DIECAST ALUMINUM ALLOY.
-FOUR 6-32 Phillips Screws



VIEW INSIDE LID

VIEW OF BOX (LID REMOVED)



HAMMOND MANUFACTURING

11130PSLA

CANADA - PH (519) 886 7170 - FAX (519) 886 8311
U.S.A. - PH (716) 631 5700 - FAX (716) 631 1156