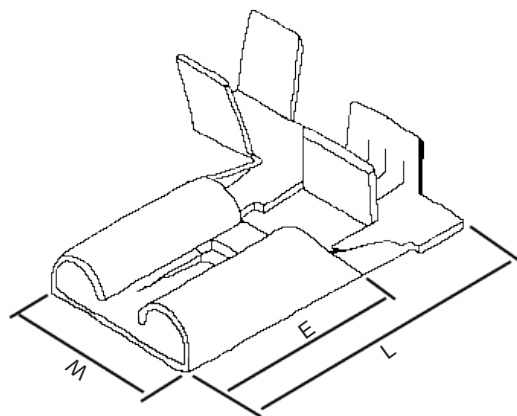
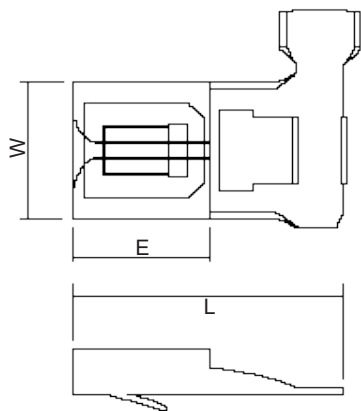
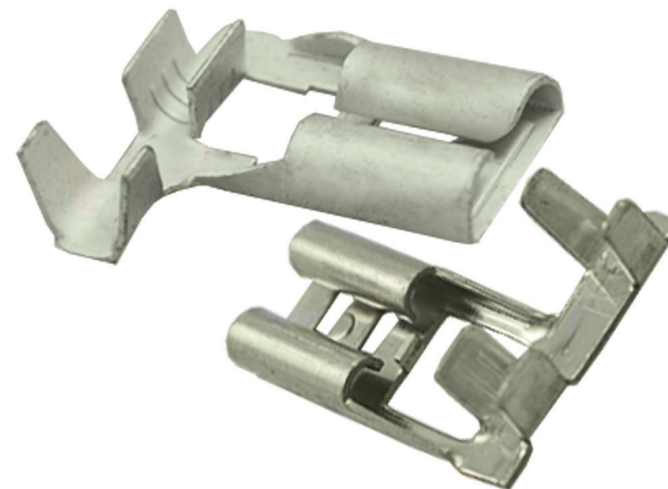


810401BL2



810701BL2

Part Number	Gender	WIRE RANGE		DIMENSIONS (mm)				Thickness (mm)
		mm ²	AWG#	H	W	L	E	
810401BL2	Female	1.3~2.0	16~14	3.0	7.6	16.7	8.0	0.4
810701BL2	Female	1.3~2.5	16~14	3.1	9.2	15.6	8.6	0.4

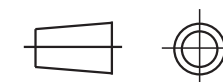


PART NAME	UNINSULATED FLAG TERMINALS	APPROVED	Liana	N	MATERIAL	
		CHECK				
PART NO.	810401BL2 810701BL2	DRAW	Liana		SHEET	1/1

DATE	DRAW	APPROVED	ECN NO.
11/11/2016	LIANA	NIK	



1300 304 451
www.pacificcomponents.com.au



Spec