

Recording  
&  
Playback

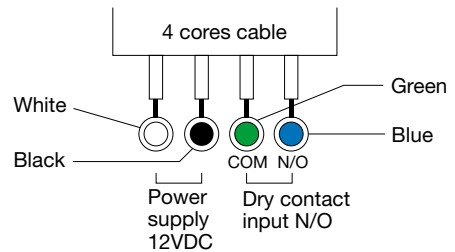
# Voice Recording Loudspeaker

## SPKR-TAV



- SPKR-TAV is designed to give an audio message after being triggered by an alarm output device.
- Max. recording time is 8 secs. The message is easily recorded by just speaking into the built-in microphone.
- The message can be constructed to suit all applications.
- The message can be recorded over and over again.
- External relay input is Normally Open (Form A) .
- Rain proof for outdoor installation.

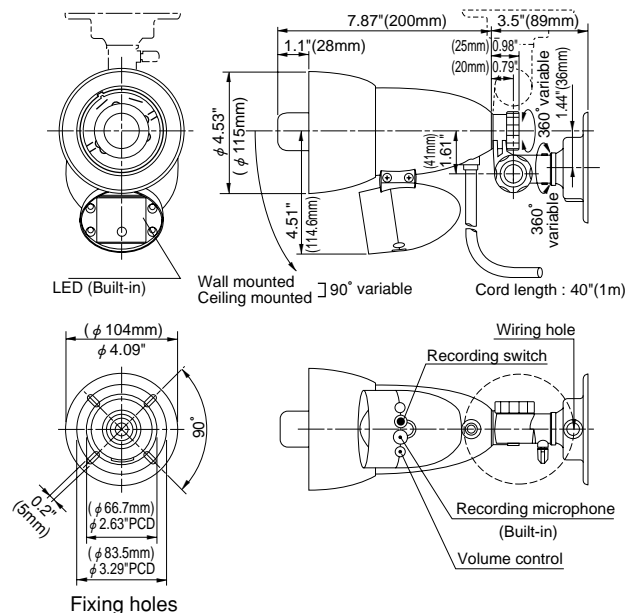
### ■ WIRING



### ■ SPECIFICATIONS

Model No.	SPKR-TAV
Power supply	12VDC (non-polarity)
Power consumption	Stand by : 20mA or less, initiated : 500mA or less
Alarm input	Dry contact N/O, contact capacity 10mA or more
Synthesis method	ADM method
Recording method	Internal condenser microphone
Record/play back time	8 sec. (memory capacity : 256Kbit S-RAM)
Recorded memory back-up time	20 days or more, under no power supply (Temp. 25°C, battery charge time 30 minutes or more)
Sound output operation	One-shot playback (8 sec.) by receiving an alarm input signal (No retrigger action during play back)
Sound output	Max. 2W, 100dB or more : subject to good recording level
Sound volume control	Variable from zero to max.
Indication LED	(when recording) Recording level is indicated as follows : good : flashing, too low : Lights on, too loud : off
	(when playback) Light on during playback time (8 sec.)
Ambient temp. range	-20°C to +50°C, without condensation and freeze
Installation place	Indoor/outdoor (rain proof)
Weight	1,050g including wire 100g
Appearance	Black (Body : PC resin)

### ■ EXTERNAL DIMENSIONS (unit : mm)



**Please Note :** This sensor is designed to detect intrusion and to initiate an alarm; it is not a burglary or a crime preventing device. TAKEX is not responsible for damage, injury or losses caused by accident, theft, Acts of God (including inductive surge by lighting) , abuse, misuse, abnormal usage, faulty installation or improper maintenance.

# TAKEX

#### In Japan

Takenaka Engineering Co., Ltd.  
83-1, Gojo-sotokan,  
Higashino, Yamashina-ku,  
Kyoto 607-8156, Japan  
Tel : 81-75-501-6651  
Fax : 81-75-593-3816  
<http://www.takex-eng.co.jp/>

#### In the U.S.

Takex America Inc.  
230E, Caribbean Drive  
Sunnyvale,  
CA 94086, U.S.A.  
Tel : 408-747-0100  
Fax : 408-734-1100  
<http://www.takex.com>

#### In Australia

Takex America Inc.  
Unit 16/35 Garden Road,  
Clayton 3168 Victoria,  
Australia  
Tel : 03-9546-0533  
Fax : 03-9547-9450

Takex America Inc.  
Brisbane office : 1/50 Logan  
Road, Woolloongabba  
Queensland  
4102, Australia  
Tel : 07-3891-3344  
Fax : 07-3891-3355

#### In the U.K.

Takex Europe Ltd.  
Takex House, Aviary Court,  
Wade Road, Basingstoke,  
Hampshire, RG24 8PE, U.K.  
Tel : (+44) 01256-475555  
Fax : (+44) 01256-466268  
<http://www.takexeuropa.com>