

Product Feature

- Double circuits type limit switch
- Strong construction, consists of Zinc Alloy and Reinforced Plastics
- Small volume, water-proof and oil-proof construction
- Built-in micro switch with double spring mechanism, longer mechanical life
- Smooth operation with greater OT
- The design is easy to wire assembly
- Wide variety of actuators, easily to use

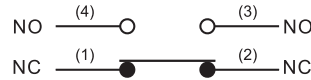
Specifications

Operation Speed	0.5mm to 50cm/sec (Plunger type)
Operation Frequency	Mechanical: 120 times/minute Electrical: 30 times/minute
Contact Resistance	25mΩ Max. (in the initial)
Insulation Resistance	100M Min.(Below 500VDC)
Dielectric Strength	1,000VAC, 50/60Hz for 1 minute between discontinuous terminals
	1,500VAC, 50/60Hz for 1minute between current carrying parts and non-current carrying parts
Vibration Resistance	1,500VAC, 50/60Hz for 1minute between Terminal and GND
	10to50Hz:1.5mm bi-amplitude
Shock Resistance	Mechanical Durability: 1,000m/Sec ² about 100G'S Malfunction Durability: 300m/Sec ² (about 30G'S)
Operation Temperature	Working temperature: -5 ~ +65°C (No freezing)
Operation Humidity	< 95%RH
Life	Mechanical: Above 10,000,000 times
	Electrical: Above 500,000 times
Weight	22 to 58g
IP Degree	IP65

Model Code

- | | |
|---|--------------------------------------|
| SW8111 Plunger type | SW8107 Adjustable rod type |
| SW8112 Roller Plunger type | SW8166 Spring soft rod type |
| SW8122 Cross roller plunger type | SW8167 Spring type |
| SW8104 Roller swinging rod type | SW8168 Spring hard rod type |
| SW8108 Adjustable roller swinging rod type | SW8169 Spring steel wire type |

Contact Diagram



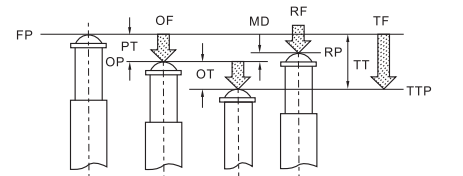
Ratings

Rated voltage	Non-Inductive Load				Inductive Load			
	Resistive Load		Lamp Load		Inductive Load		Motor Load	
	NC	NO	NC	NO	NC	NO	NC	NO
125VAC	5A	5A	1.5A	0.7A	3A	3A	2A	1A
250VAC	5A	5A	1A	0.5A	3A	3A	1.5A	0.8A
8VDC	5A	5A	3A	3A	5A	4A	3A	3A
14VDC	5A	5A	3A	3A	4A	4A	3A	3A
30VDC	5A	5A	3A	3A	4A	4A	3A	3A
125VDC	0.4A	0.4A						
250VDC	0.2A	0.2A						
Inrush current	NC: Below 24A NO: Below 12A							

- Notes: 1. The power factor of Inductive Load is over 0.4(AC).
And usually the time constant is below 7 msec(DC).
2. The inrush current of Lamp Load is 10 times as than in stable condition, and Motor current is 6 times as than in stable condition.

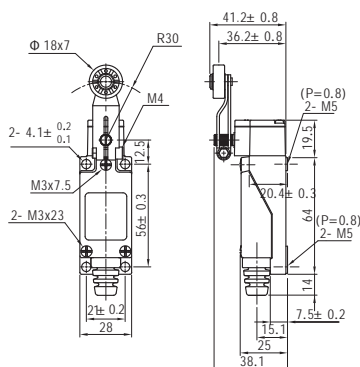
Operating Characteristics

Type	SW8104	SW8108	SW8107	SW8111	SW8112 SW8122	SW8166 SW8167 SW8168 SW8169
OF Max.	750g	750g	750g	900g	900g	150g
RF Min.	100g	100g	100g	150g	150g	—
PT Max.	20°	20°	20°	1.5mm	1.5mm	30mm
OT Min.	50°	50°	50°	4mm	4mm	—
MD Max.	12°	12°	12°	1mm	1mm	—
OP	—	—	—	26 ± 0.8mm	37 ± 0.8mm	—

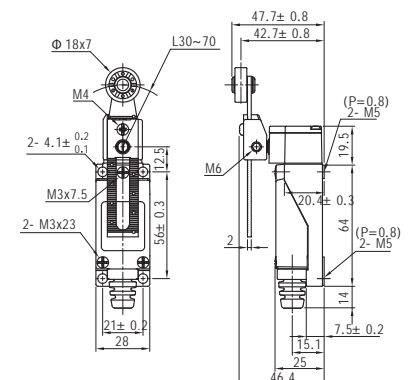


- FP: Free Position
OP: Operating Position
PT: Pre-Travel
OF: Operating Force
OT: Over Travel
MD: Movement Differential
- RF: Release Force
RP: Release Position
TT: Total Travel
TF: Total travel Force
TTP: Total Travel Position

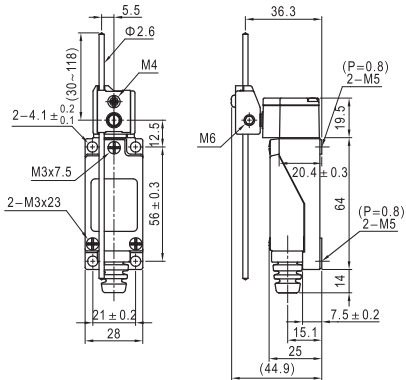
SW8104



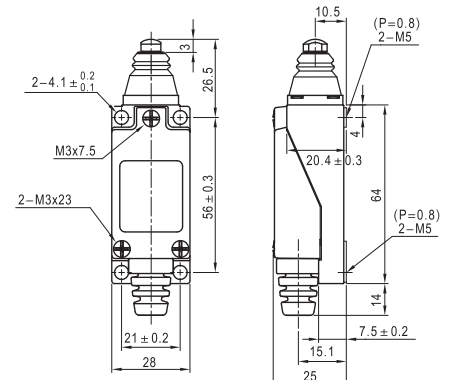
SW8108



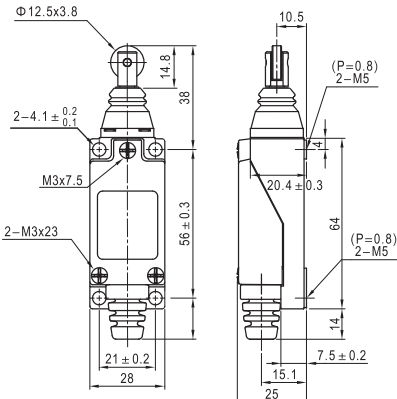
SW8107



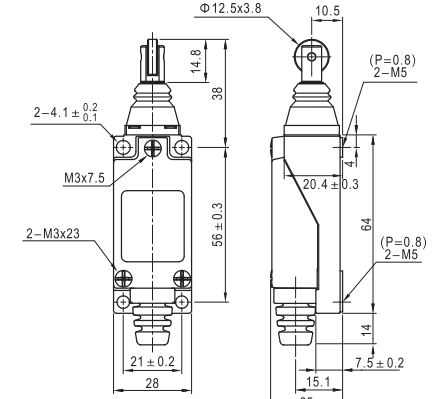
SW8111



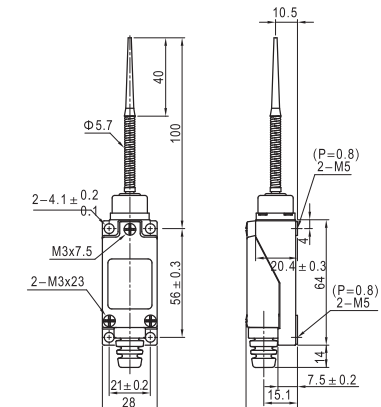
SW8112



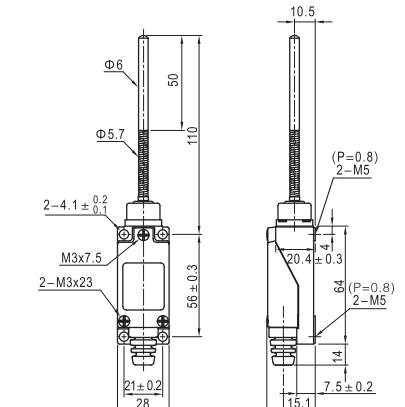
SW8122



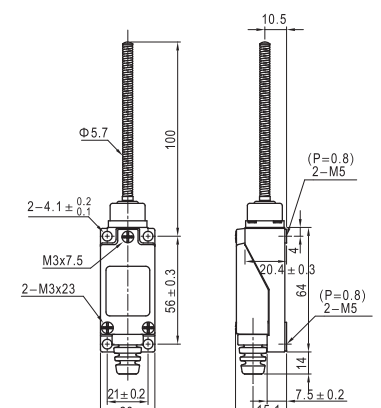
SW8166



SW8168



SW8167



SW8169

