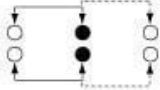


CIRCUIT DIAGRAM **SPECIFICATIONS** **NON-SHORTING**



Rating: 0.5A 50V DC
Function: 2P2T

SW0538

