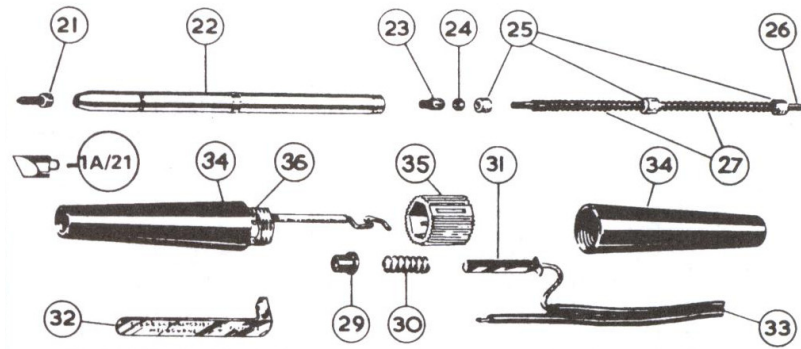


Scope Irons Spare Parts List

SI26xx

To Suit MiniScope Soldering Irons (MS)



Spare Part	Part Number
#1A/21 Copper Tip 6.4mm (Double Flat)	SI2621A
#21 Copper Tip 3.2mm Conical	SI2621
#22 Barrel (Stainless)	SI2622
#23 Carbon Element	SI2623
#24 Bead Retaining Nut	SI2624
#25 Ceramic Bead	SI2625
#26 Push Rod Only	SI2626
#26A Push Rod Assembled	SI2626A
#27 Push Rod Springs (Pair)	SI2627
#29 Insulating Bush	SI2629
#30 Switch Return Spring	SI2630
#31 Contact Lug	SI2631
#32 Switch Lever	SI2632
#33 Flex Lead	SI2633
#34 Handle (Half)	SI2634
#35 Centre Piece	SI2635
#36 Brass Nut	SI2636