

Dimensions of diagram				
Part Number	Style	L	B	H
696100	1	25	20	8
696200	1	25	20	8
696200W	2	25	20	8
696500	1	35	20	11

NOTE:

696100

1. WIRE RANGE: AWG 22-18 DIN 1.25mm²
2. WIRE SIZE: 0.25-1.65mm²
3. INSULATED COLOUR: RED

696200

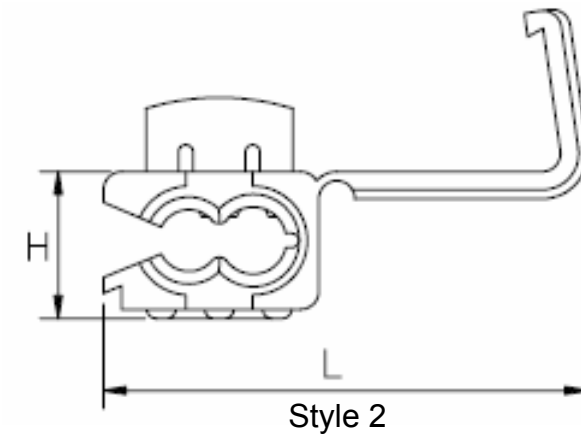
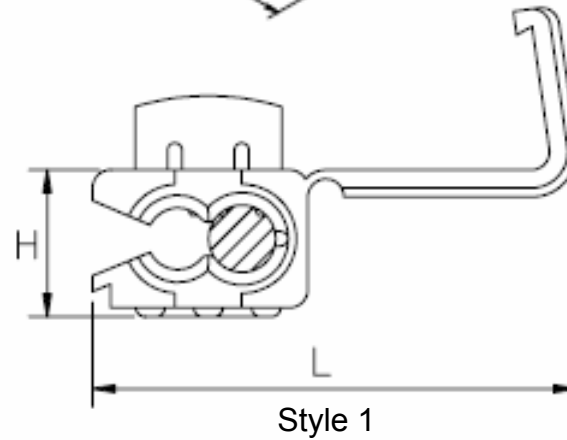
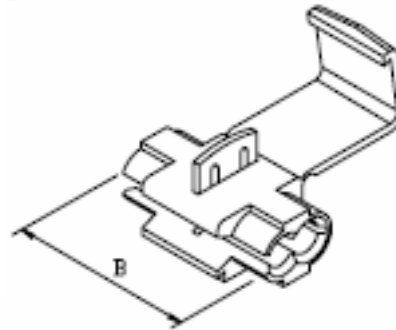
1. WIRE RANGE: AWG 18-14 DIN 2mm²
2. WIRE SIZE: 1.04-2.63mm²
3. INSULATED COLOUR: BLUE

696200W

1. WIRE RANGE: AWG 18-14 DIN 2mm²
2. WIRE SIZE: 1.04-2.63mm²
3. INSULATED COLOUR: WHITE

696500

1. WIRE RANGE: AWG 12-10 DIN 5.5mm²
2. WIRE SIZE: 2.63-6.64mm²
3. INSULATED COLOUR: YELLOW

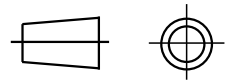


PART NAME	QUICK SPLICE CONNECTORS	APPROVED	Zig	MATERIAL	
		CHECK			
PART NO.	696100 696200 696200W 696500	DRAW	Liana	SHEET	1/1

DATE	DRAW	APPROVED	ECN NO.
18/01/2016	Liana	Zig	



1300 304 451
www.pacificcomponents.com.au



Spec