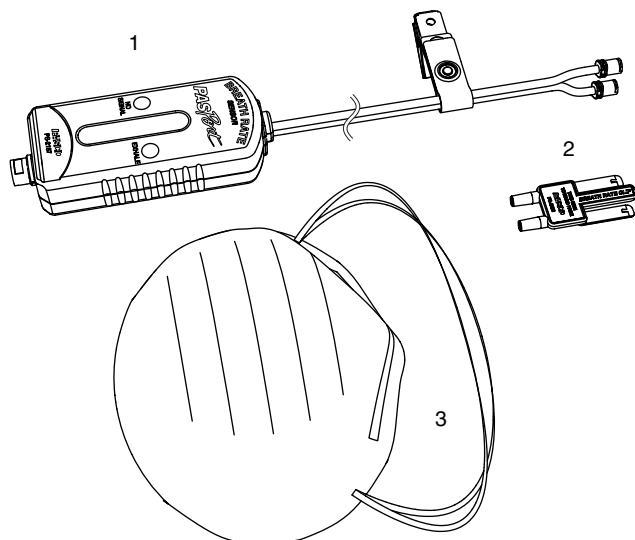


Breath Rate Sensor

PS-2187



Included Parts

1. Breath Rate Sensor
2. Disposable Clips, 10 pieces
3. Disposable Masks, 10 pieces

Additional Part Required

- PASPORT interface or datalogger

Replacement Parts

- Disposable Clips, package of 10, PS-2568
- Disposable Masks, package of 5, PS-2567

Quick Start

1. Connect the Breath Rate Sensor to your PASPORT interface.
2. If you are using a computer, connect the PASPORT interface to it and start DataStudio.
3. Connect a *new, unused* clip to the sensor's tubes.
4. Attach the clip to a *new, unused* mask
5. Place the mask on your face.
6. Press or click the start button to begin recording data.

Introduction

The Breath Rate Sensor measures breathing rate before, during, and after exercise. This measurement is sent digitally to a computer or datalogger where it is displayed and recorded for analysis. The sensor detects each breath by monitoring the air pressure in a mask worn by the subject.

Safety

- *Each mask and each clip is to be used by one person only. Dispose of clips and masks after use.*
- The sensor is for educational use only.

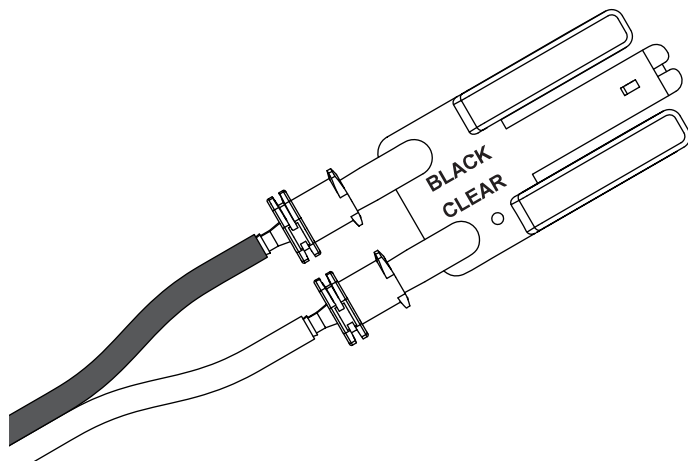
Set-up

Connecting the Sensor to an Interface

1. Connect the sensor's plug to any port of a PASCO interface or datalogger.
2. If you are using a computer, connect the PASPORT interface to it and start DataStudio.

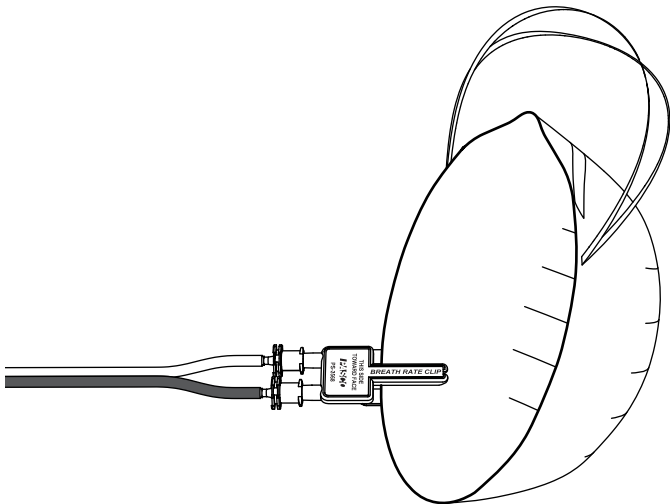
Connecting a Clip to the Sensor

Plug the two ports of the clip into the tubes of the sensor. Observe the **BLACK** and **CLEAR** labels on the clip and ensure that each port is connected to the correct tube.



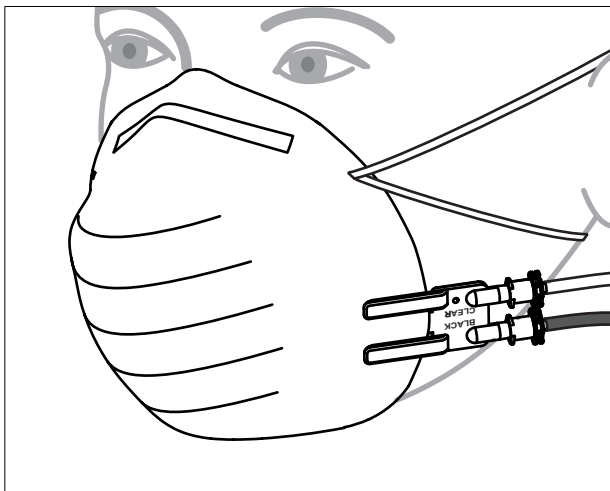
Attaching the Clip to a Mask.

Slide the clip onto the side of the mask as illustrated. Observe the THIS SIDE TOWARD FACE label.



Placing the Mask on Your Face

1. Place the mask over your mouth and nose with the straps around your head as illustrated.
2. Ensure that the mask fits closely to your face.
3. Attach the metal strain-relief clip to your clothes or the mask itself to prevent the tubes from pulling the breath rate clip.



Collecting Data

1. While breathing normally, observe the indicator lights on the sensor. The green EXHALE indicator illuminates when the sensor detects a breath. If the red NO SIGNAL indicator is illuminated, adjust the fit of the mask.
2. Press or click the start button on your interface or in DataStudio to begin recording data.
3. Press or click the button again to stop recording data.

About the Measurements

The sensor determines breath rate by measuring the time between exhalations. It outputs two measurements: Breath Rate and Breath Rate Average.

- **Breath Rate** is the inverse of the time between consecutive exhalations.
- **Breath Rate Average** is based on the duration of the four previous exhale-inhale cycles.

Both measurements are updated every time you exhale.

Specifications

Measurement Range	5 breaths/minute to 60 breaths/minute, typical
-------------------	--

Technical Support

For assistance with any PASCO product, contact PASCO at:

Address: PASCO scientific
10101 Foothills Blvd.
Roseville, CA 95747-7100

Phone: 916-786-3800 (worldwide)
800-772-8700 (U.S.)

Fax: (916) 786-7565

Web: www.pasco.com

Email: support@pasco.com

For more information about the Breath Rate Sensor and the latest revision of this Instruction Sheet, visit:

www.pasco.com/go?PS-2187

Limited Warranty For a description of the product warranty, see the PASCO catalog.

Copyright The PASCO scientific 012-10168A *Breath Rate Sensor Instruction Sheet* is copyrighted with all rights reserved. Permission is granted to non-profit educational institutions for reproduction of any part of this manual, providing the reproductions are used only in their laboratories and classrooms, and are not sold for profit. Reproduction under any other circumstances, without the written consent of PASCO scientific, is prohibited.

Trademarks PASCO, PASCO scientific, DataStudio, and PASPORT are trademarks or registered trademarks of PASCO scientific, in the United States and/or in other countries. All other brands, products, or service names are or may be trademarks or service marks of, and are used to identify, products or services of, their respective owners. For more information visit www.pasco.com/legal.