



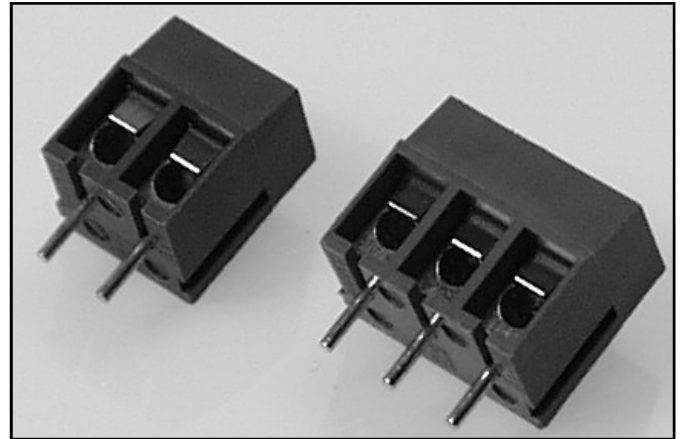
PCB TERMINAL BLOCKS

ABN : 26 052 173 154

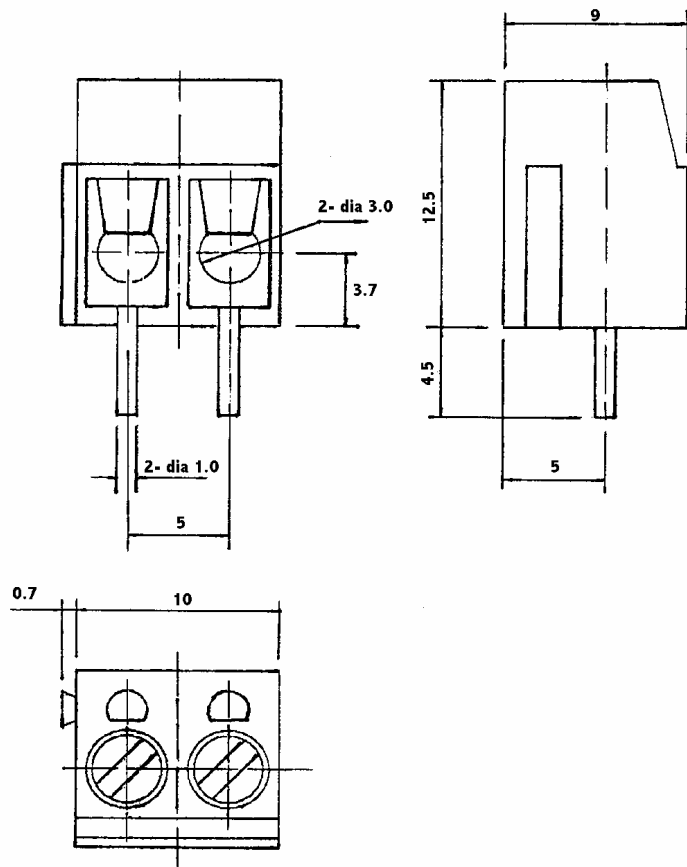
- 2 way and 3 way blocks dovetail together to provide a multitude of sizes.
- 5mm PCB pin spacings.
- Wire protectors incorporated into terminals.

SPECIFICATIONS

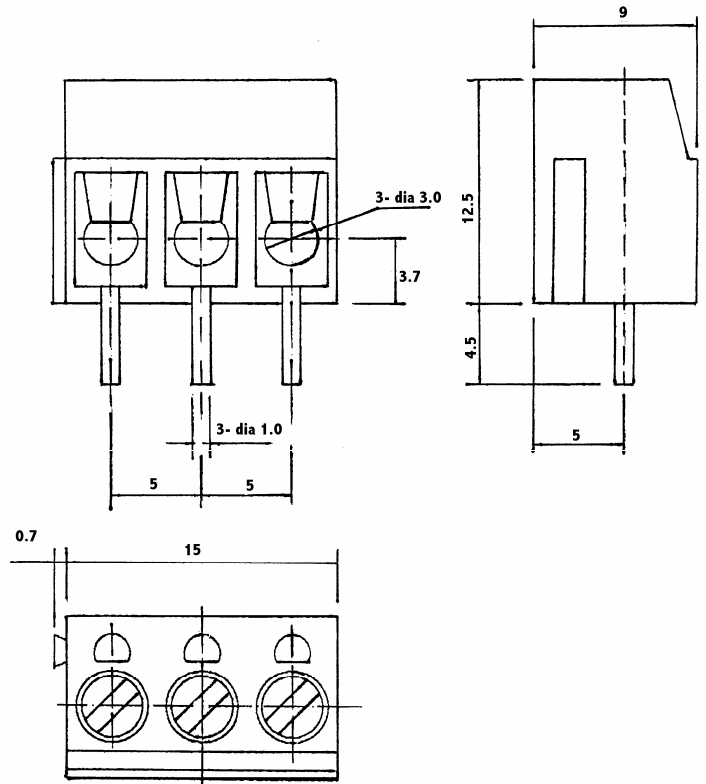
Current Rating:.....16 Amp
 Operating Temperature Range:.. -30°C ~ +120°C
 Rated Voltage:.....250V AC
 Insulation Withstanding Voltage:..1500V AC / 1 min
 Insulation Material:..... PBT (30% Glass filled) UL94V-0



**2 WAY STACKABLE PCB
 TERMINAL BLOCK
 CN2238**



**3 WAY STACKABLE PCB
 TERMINAL BLOCK
 CN2240**



K&W Electronic Products

Unit 4, Cnr. Ring Road & Western Hwy, Ballarat 3350, Victoria, Australia
 PO BOX 4043, ALFREDTON,
 BALLARAT, VICTORIA, 3350, AUSTRALIA
 Phone: 03 5334 3329 Fax: 03 5334 1845

www.kandw.com.au