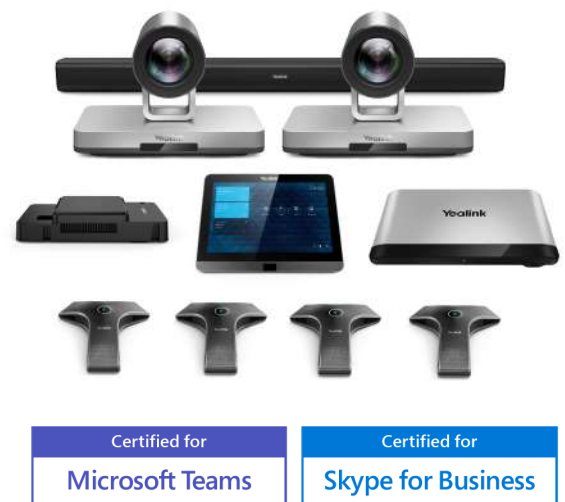
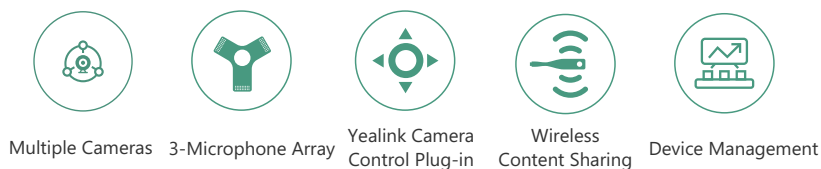


Microsoft Teams Rooms System for Extra Large Rooms

Yealink MVC Series is the brand-new video conferencing system released by Yealink that revolutionizes the Microsoft Teams Rooms meeting experience. Perfectly integrated with Microsoft Teams Rooms and Yealink cutting-edge audio & video solutions, the Yealink MVC Series is deemed to cover all the usage scenarios and provide you with the excellent meeting experience in the conference room. Consisting of the touch console, content sharing unit, audio and video peripherals, and mini-PC, the Yealink MVC Series enhances the whole meeting experience with the familiar Microsoft Teams Rooms interface and a close-to-zero learning curve, allowing you just to simply walk into the conference room and start your meeting with one-touch join, or type a few names and launch an ad hoc call. The Yealink MVC900 includes four 360 ° pick-up-range microphones, a camera hub and two powerful pan-tilt-zoom cameras with 12x optical zoom, to cover up an extra-large conference room.



Key Features and Benefits

Easy to Start and Manage Meetings

Its familiar Microsoft Teams Rooms interface and functionality not only makes it easy for everyone but also saving your time to join the meeting faster. The Yealink Plug-in software lets you get rid of the remote control, you can control the USB PTZ camera on the touch console directly via its software. To provide an optimal solution for extra-large meeting rooms, Yealink camera hub handles all the video streams from UVC80s, users can freely switch one to another via Yealink Camera Control Plug-in.

Premium Audio and Video Meeting Experience

UVC80 camera supports 1080P/60FPS video calls to make your business discussion be as life-like and interactive as possible. For its premium voice quality, the solution is combined with the Yealink audio algorithm and is equipped with four microphones that supports 20ft/360° voice pickup range and a speaker that is capable of producing louder output up to 40W. Besides, Yealink Noise Proof technology effectively eliminates background distractions and noises, guaranteeing a crystal-clear voice even in a noisy environment.

Flexible and Simple

This solution provides you with an individual touch console that separates from the mini-PC, not only making the deployment more flexible but also rewarding you a tidy and smart conference table.

Simple Management through Yealink Device Management Platform

This solution supports Yealink Device Management Platform/Cloud Service, you can flawlessly manage, monitor, configure, update and diagnose all Yealink audio and video peripherals on this platform remotely.

Package Content

- Mini-PC and cable management box
- Yealink MTouch touch console
- Yealink MShare for content sharing
- Camera-Hub
- 2 x UVC80 USB PTZ camera
- 4 x VCM34 array microphones (optional)
- Yealink MSpeaker soundbar (optional)

Preload Software and License

- Windows 10 IoT Enterprise X64
- Windows 10 IoT Enterprise License
- Microsoft Teams Rooms App, support Skype for Business on-premise/online and Teams meetings
- Yealink Camera Control Plug-in

Mini-PC Package

- 7th-gen Intel® Core™ i5
- Memory: 8GB (2 x 4GB)
- Storage: 128GB SSD
- 2x HDMI video output
- Bluetooth and Wi-Fi
- 4 x USB3.0 Type-A
- 1 x 10/100/1000M Ethernet port
- 1 x Power port
- 1 x Security lock slot
- Cable management cable

Yealink MTouch

- 8-inch IPS screen
- 1280 x 800 resolution
- 10-point capacitive touch screen
- 3.5mm headset jack
- Human motion sensor

- Angle adjustable bracket (23° ~ 50°)
- 3.5mm headset jack
- Human motion sensor
- Angle adjustable bracket (23° ~ 50°)

Yealink MShare

- 1080P/30FPS FHD by MJPEG format
- Support wired and wireless content sharing
- Built-in Wi-Fi AP for Yealink wireless presentation device
- 1 x HDMI video input
- 1 x Mini-DP video input
- 1 x USB2.0 Type-B
- 1 x USB2.0 Type-A

Camera-Hub

- Support up to 9 cameras
- 1 x RCA-in
- 1 x RCA-out
- 1 x Yealink Microphone port (RJ-45)
- 3 x USB 2.0 Type-A
- 1 x Power port
- 1 x Security lock slot
- 1 x Reset slot
- 1 x Ethernet port for camera connection

UVC80 USB PTZ Camera

- 1920 x 1080 video resolution
- 60 frame rate
- 12x optical zoom
- Field of view (diagonal): 78.5°
- Pan angle range: 200°
- Tilt angle range: 60°
- 1 x Line-in (3.5mm)

- 1 x Line-out (3.5mm)
- 1 x Yealink Microphone port (RJ-45)
- 1 x USB 2.0 Type-B
- 1 x USB 2.0 Type-A
- 1 x Power port
- 1 x Security lock slot
- 1 x Reset slot

Yealink VCM34 Array Microphone

- Built-in 3-microphone array
- 20ft (6-meter) voice pickup range
- Cascade connection up to 4 units
- Mute button with LED

Yealink MSpeaker

- Output ((THD=1.0%)) RMS: 10W*4
- Frequent response: 60 Hz - 20K Hz
- S/N: ≥70dB

Other Physical Features

- Operating humidity: 10~95%
- Operating temperature: 0~40°C (+32~104°F)
- Storage temperature: -30~70°C (-22~158°F)

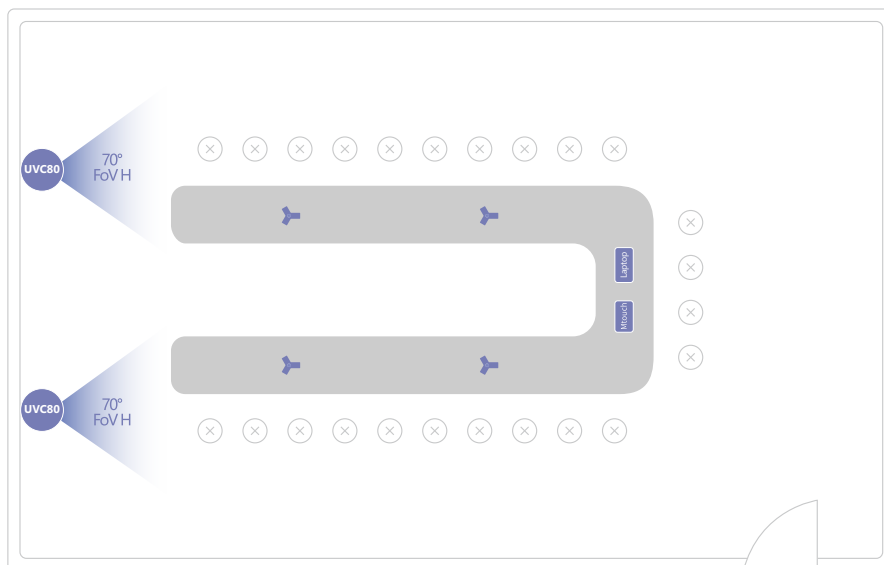
Package Features (microphones and speaker included)

- N.W/CTN: 16.1 kg
- G.W/CTN: 18.3 kg
- Carton Meas: 1015mm x 513mm x 302mm

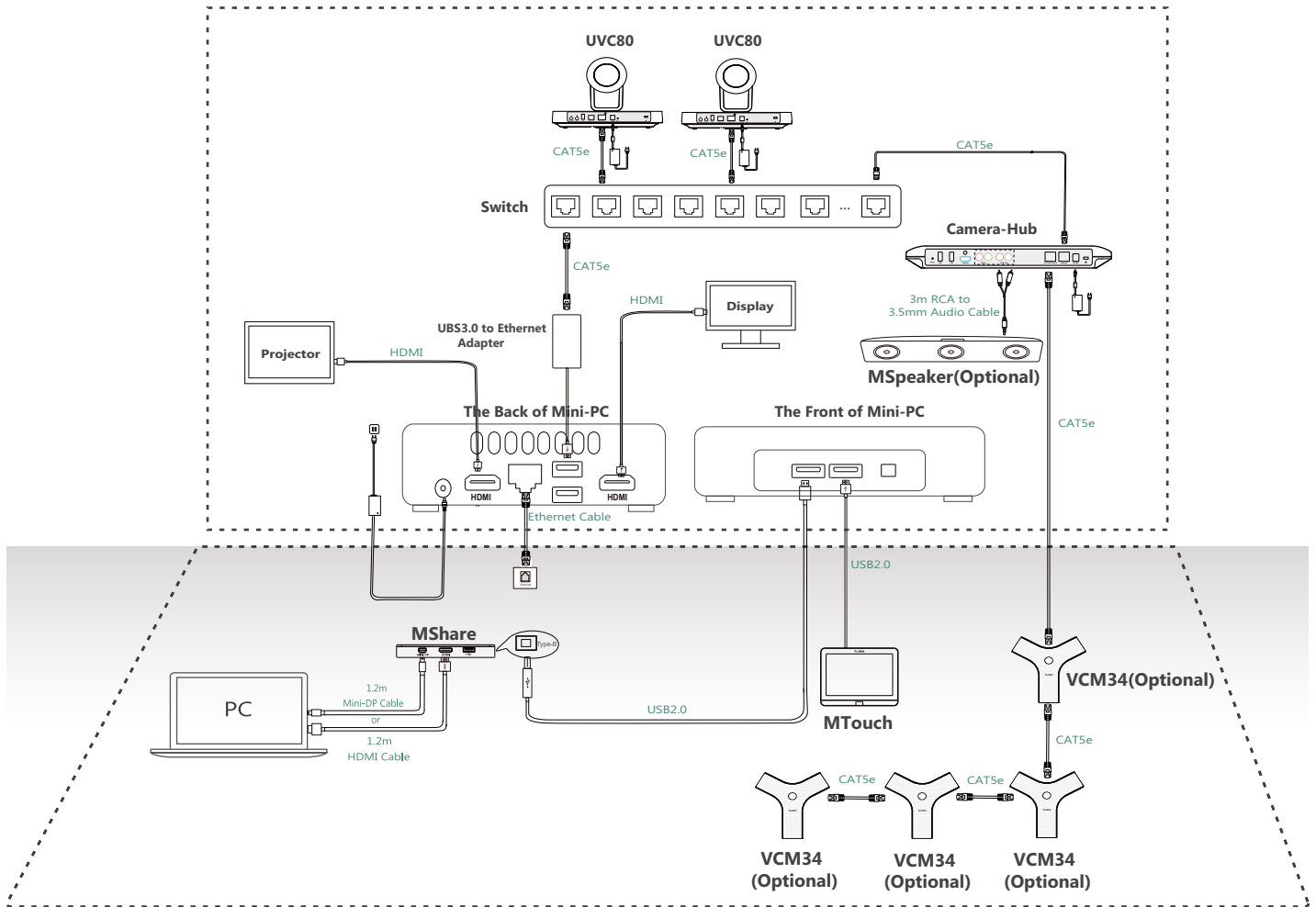
Package Features (no microphones and speaker included)

- N.W/CTN: 12.2 kg
- G.W/CTN: 13.7 kg
- Carton Meas: 715mm x 530mm x 302mm

Scene graph in a conference room:



Connection:



- 💡 Do not connect the switch to the Internet, otherwise it will cause network abnormalities.
- 💡 The switch and Ethernet cables should be purchased separately.
- 💡 When starting up the system for the first time, you need a USB hub to connect a mouse to complete the initial configuration. We recommend using the wireless mouse and keyboard kit.
- 💡 For more information about the installation and deployment of accessories (for example, the installation of mini-PC package or the camera-hub), refer to the Quick Start Guide of corresponding accessory.



About Yealink

Yealink is a global leading provider of enterprise communication and collaboration solutions, offering video conferencing service to worldwide enterprises. Focusing on research and development, Yealink also insists on innovation and creation. With the outstanding technical patents of cloud computing, audio, video and image processing technology, Yealink has built up a panoramic collaboration solution of audio and video conferencing by merging its cloud services with a series of endpoints products. As one of the best providers in more than 140 countries and regions including the US, the UK and Australia, Yealink ranks No.1 in the global market share of SIP phone shipments.

Copyright

Copyright © 2020 YEALINK(XIAMEN) NETWORK TECHNOLOGY CO., LTD.

Copyright © 2020 Yealink(Xiamen) Network Technology CO., LTD. All rights reserved. No parts of this publication may be reproduced or transmitted in any form or by any means, electronic or mechanical, photocopying, recording, or otherwise, for any purpose, without the express written permission of Yealink(Xiamen) Network Technology CO., LTD.

Technical Support

Visit Yealink WIKI (<http://support.yealink.com/>) for firmware downloads, product documents, FAQ, and more. For better service, we sincerely recommend you to use Yealink Ticketing system (<https://ticket.yealink.com>) to submit all your technical issues.



YEALINK(XIAMEN) NETWORK TECHNOLOGY CO.,LTD.
Web: www.yealink.com
Addr: No.1 Ling-Xia North Road, High Tech Park,
Huli District, Xiamen, Fujian, P.R. China
Copyright©2020 Yealink Inc. All right reserved.