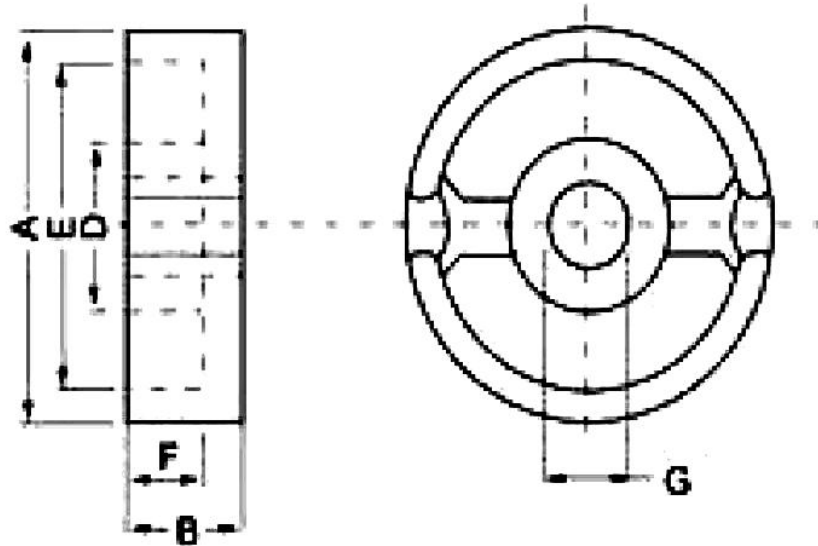


Core Size



A	25.3mm (min)
B	8.1 ± 0.20mm
D	11.3 ± 0.30mm
E	21.8 ± 0.60mm
F	5.9 ± 0.20mm
G	5.9 ± 0.30mm
Weight	19.7g

Core Set Parameters

C ₁	0.45mm ⁻¹
Le	39.03mm
Ae	85.77mm ²
Ve	3348.0mm ³

Material Characteristics

Characteristic	Symbol	Unit	Condition	Value
Initial Permeability	μ_i			2300 \pm 25%
Saturation Flux Density	Bs	mT	At 25°C	500
			At 100°C	380
Remanence	Br	mT		130
Magnetic Coercivity	Hc	A/m		16
Power Loss (F=100KHz B=200mT)	Pc	Kw/m ³	At 25°C	600
			At 80°C	400
			At 100°C	410
Curie Temperature	Tc	°C		> 215
Resistivity	ρ	$\Omega \cdot m$		6.5
Density	D	Kg/m ³		4.8 x 10 ³

Remarks: Values are obtained by T25 test cores. The data may have some adjustments according to specific products.