

## ARD 2 Arduino Compatibles

Controllers, Shields, Modules & Sensors

### RC Servo Metal Gears 8.8Kg/cm TowerPro MG995

HA9765-M

- **Metal gears**
- **180 degree range of movement**
- **High torque – 8.8Kg/cm**
- **Includes several types of horns**
- **Applications include remote control toys & vehicles (boats, cars, planes, helicopters, robots) & other projects**



#### Description

This TowerPro RC (remote control) high torque servo with metal gears is perfect for toy boats, cars, planes, helicopter, robots or whatever else you need to make move in your DIY project. It has a rotation angle of 180 degrees and includes several different types of horns, as pictured.

#### Specifications

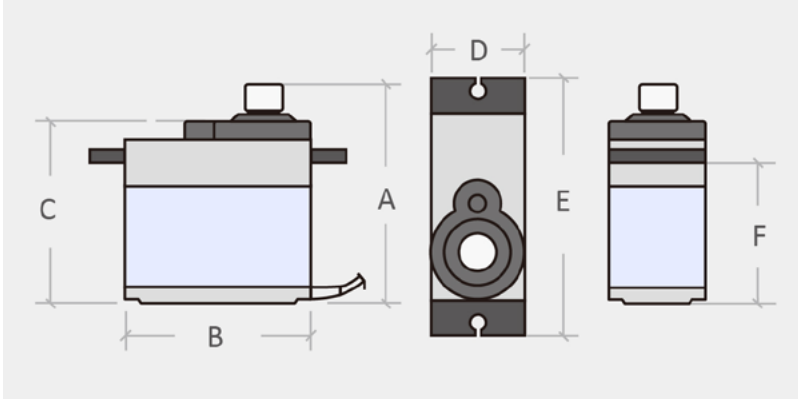
<b>Rotation Angle</b>	180 degrees
<b>Gear Type</b>	Metal
<b>Stall Torque (6.0V)</b>	15 kg/cm
<b>Stall Torque (4.8V)</b>	13 kg/cm
<b>Operating Voltage</b>	4.8–7.2V
<b>Operating Speed (4.8V)</b>	0.17sec / 60 degrees (no load)
<b>Operating Speed (6.0V)</b>	0.13sec / 60 degrees (no load)
<b>Operating Temperature</b>	0–55°C
<b>Dead Band Width</b>	1 μs
<b>Connector Wire Length</b>	30cm
<b>Pulse Cycle</b>	1 ms
<b>Connector Type</b>	JR (Fits JR and Futaba)
<b>Weight</b>	58g

#### Pinout

Servo Wire	Function
Orange	Signal (PWM)
Red	Vcc (+)
Brown	Ground (-)



**ARD 2** **Arduino Compatibles**  
Controllers, Shields, Modules & Sensors



**Dimensions**

<b>A (mm)</b>	45.0
<b>B (mm)</b>	40.9
<b>C (mm)</b>	39.0
<b>D (mm)</b>	19.0
<b>E (mm)</b>	54.0
<b>F (mm)</b>	26.8

