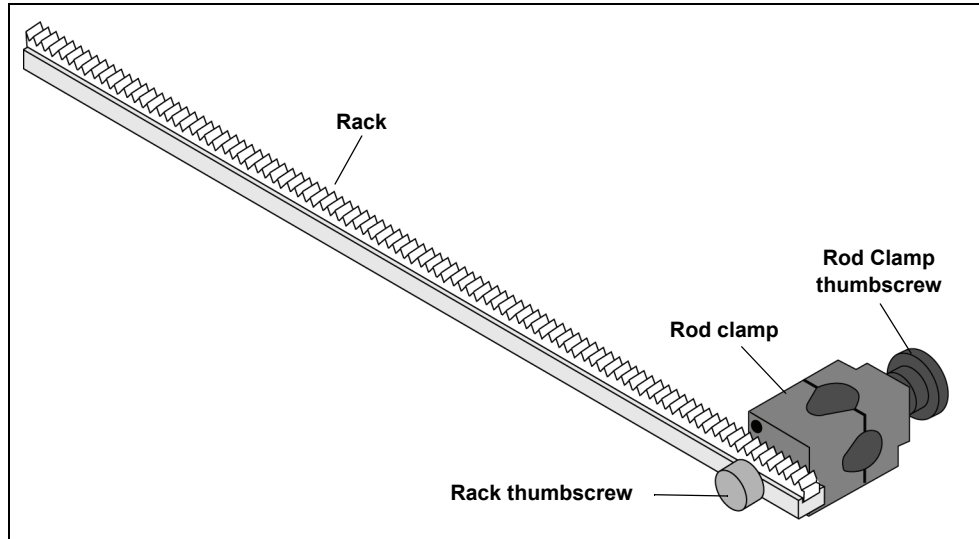




Linear Motion Accessory

CI-6688A



Linear Motion Accessory (CI-6688A)

Included Items	Included Items
Rack	Rod Clamp
Rack thumbscrew	Rod Clamp thumbscrew

Recommended Items*
PASCO Rotary Motion Sensor
PASCO Interface and Capstone Software

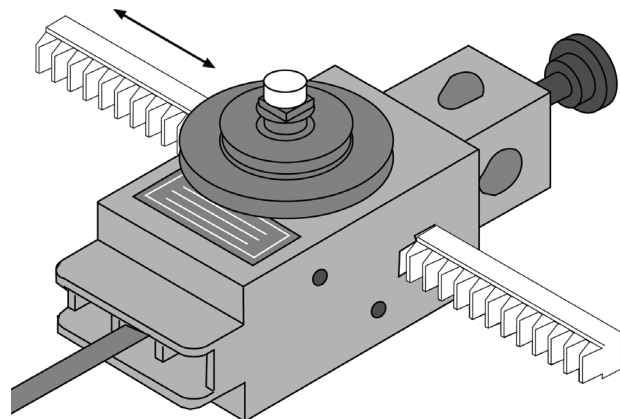
*See the PASCO catalog or web site at
WWW.PASCO.COM

Introduction

The PASCO CI-6688A Linear Motion Accessory is designed to be used with a PASCO Rotary Motion Sensor (such as the PS-2120A or the CI-6538A). The Linear Motion Accessory consists of a 21 centimeter (cm) rack that is inserted into the slot on the side of the Rotary Motion Sensor. The teeth on the rack engage a gear inside the Rotary Motion Sensor caus-

ing it to rotate as the rack is pushed through the slot. This allows the sensor to measure a linear motion.

The rack may be inserted through either side of the Rotary Motion Sensor. Sensors can be mounted to the rack using the rod clamp which is attached to either end of the rack.



Please refer to the instruction manual and experiment guide for the Rotary Motion Sensor for a detailed description of experiments using the Linear Motion Accessory.

Suggestions

Pressure versus Depth in a Fluid

Determine the relationship between pressure and depth in a fluid. The density of the fluid can also be determined.

Ideal Gas Law: Pressure versus Volume

Obtain a Pressure vs. Volume diagram for a piston compressing a gas at constant temperature. The work is calculated by integrating under the P-V curve. Also, obtain a plot of force versus piston displacement and the work can be found by integrating under this curve.

Magnetic Field versus Distance

Plot the magnetic field of a neodymium magnet as a function of distance from the magnet.

Technical Support

For assistance with any PASCO product, contact PASCO at:

Address: PASCO scientific
10101 Foothills Blvd.
Roseville, CA 95747-7100

Phone: +1 916-786-3800 (worldwide)
800-772-8700 (U.S.)

E-mail: support@pasco.com

Web www.pasco.com

For the latest information about the Linear Motions Accessory or the accessories, go to the PASCO web site at www.pasco.com and enter the model number in the search window.

Limited Warranty For a description of the product warranty, see the PASCO catalog. **Copyright** The PASCO scientific *Instruction Manual* is copyrighted with all rights reserved. Permission is granted to non-profit educational institutions for reproduction of any part of this manual, providing the reproductions are used only in their laboratories and classrooms, and are not sold for profit. Reproduction under any other circumstances, without the written consent of PASCO scientific, is prohibited. **Trademarks** PASCO, PASCO Capstone, PASPORT, SPARK Science Learning System, SPARK SLS, and SPARKvue are trademarks or registered trademarks of PASCO scientific, in the United States and/or in other countries. For more information visit www.pasco.com/legal.