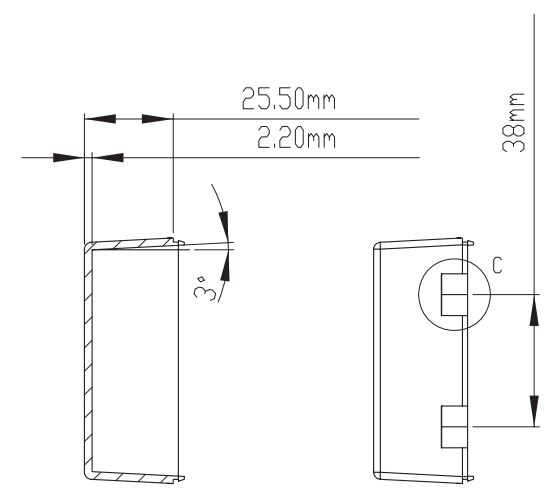
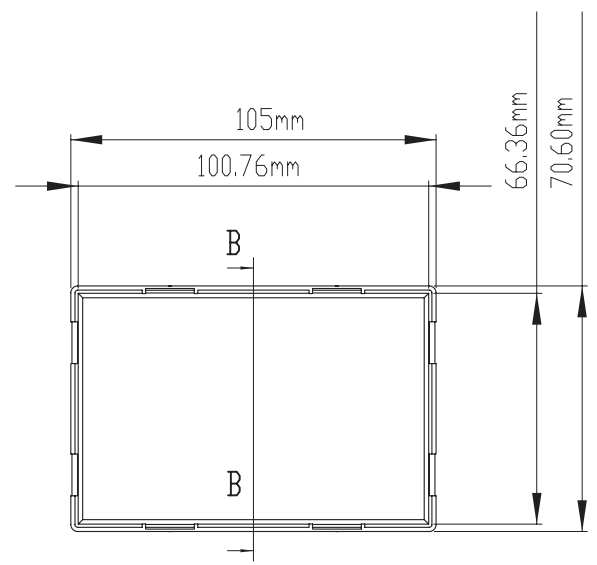
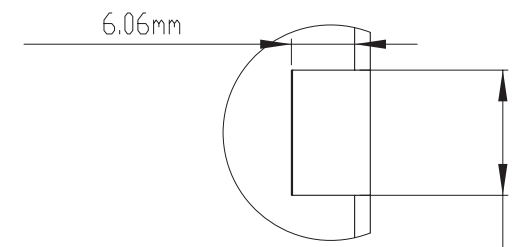


HOLES(4) ARE DESIGNED FOR M2.6X6mm SELF-TAPPING SCREWS USE.

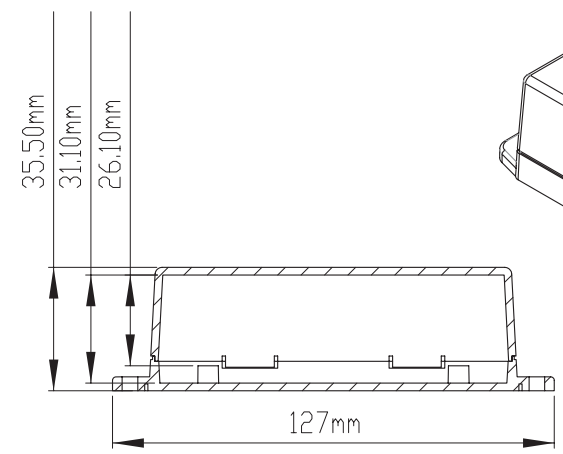
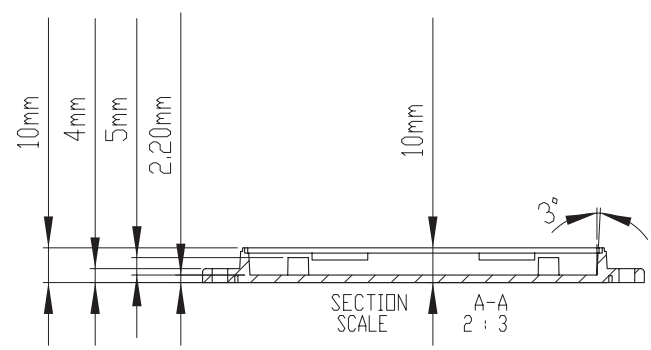
WALL MOUNTING HOLES(2) X DIA.4.5mm FOR PAN HEAD(M4) TAPPING SCREWS USE.



SECTION B-B
SCALE 2 : 3



SECTION C
SCALE 2 : 1



ASSEMBLY

