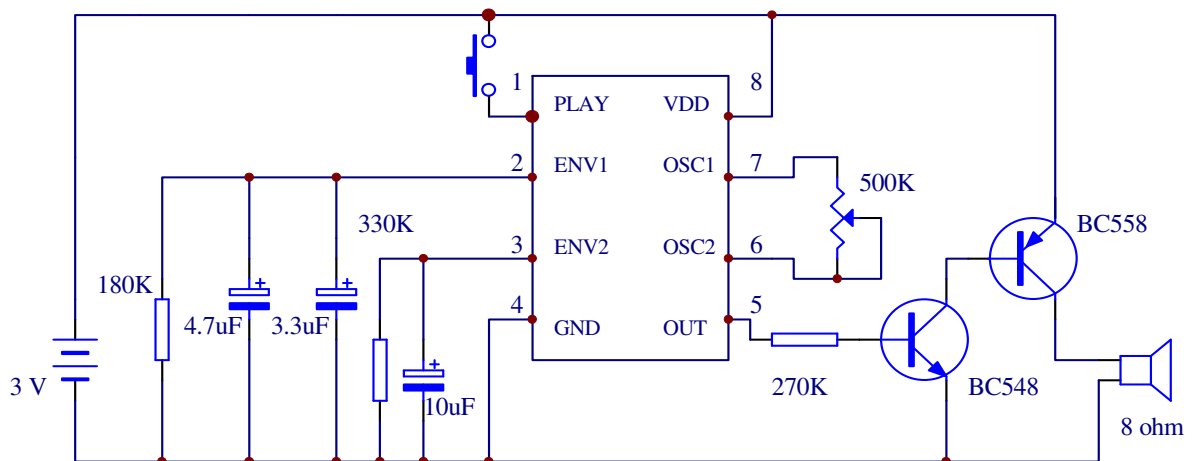


DING DONG DOOR BELL IC

A5307 is a low cost 8 pin DIL door bell IC producing a professional quality ding dong door bell chime with the addition of a few extra components.



Parameter	Min	Typ.	Max.	Unit
Operating Voltage	2.4	3.0	4.5	V
Operating current	15	25	-	uA
O/P drive current	-	-	2	uA