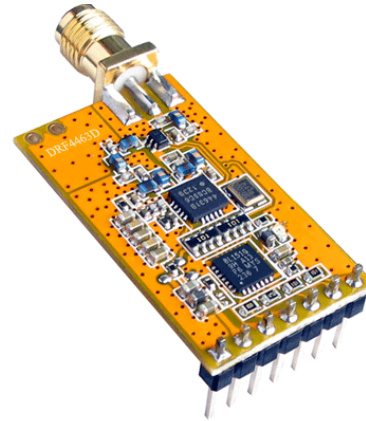

DRF4463D20
Medium Power ISM RF Transceiver Module

V1.20

Features

- GFSK transceiver Module
- 433Mhz ISM frequency band
- 40Kbps RF data rate
- Multiple channels
- 20dBm Max. output power
- -121dBm sensitivity @1k bps
- Baud rate configurable
- Standby current < 2.5uA
- Supply voltage:2.1~3.6V / 3.5~5.5V



Application

- Home automation
- Security alarm
- Telemetry
- Automatic meter reading
- Contactless access
- Wireless data logger
- Remote motor control
- Wireless sensor network

DESCRIPTION

DRF4463D20 is a high efficient transceiver module designed for operations in the unlicensed ISM (Industrial Scientific Medical) and LPRD bands based on RFIC SI4463 from Silicon labs. GFSK modulation/demodulation, multi-channel operation, high bandwidth efficiency and anti-blocking performance make DRF4463D20 modules easy to realize the robust and reliable wireless link.

The module can be configured to work in different channels. It adopts the high efficient looped interleaving EDAC (Error Detection and correction) coding with coding gain up to 3dB which keeps in advance in error correction and coding efficiency over normal FEC (Forward Error Correction) coding. Because of its high reliability in correction, modules can filter error and fake information automatically and realize truly transparent wireless link, which makes DRF4463D20 very suitable in the rigid communication environment.

DRF4463D20 integrates two 256 bytes buffer. When the buffer is empty, users can transfer nearly 256 bytes data per time and even limitless data transfer can be achieved as long as RF data rate is

configured to be faster than UART data rate (MCU to RF module). DRF4463D20 provides standard UART/TTL interface. Users can choose seven data rates and three parity checks which make DRF4463D20 possibly tailor-made for different applications. DRF4463D20 operates at 2.1~3.6V with low power consumption. The module can work in four different modes which are very suitable for battery powered-up applications.

PIN FUNCTIONS

PIN	Name	Function	Description
1	GND	Ground	Ground (0V)
2	VCC	Power	Power supply. 2.1~3.6V
3	SETA	Input	Parameter setting A; pull-up resistor: 47K Ohm
4	RXD	Input	UART input, TTL level; pull-up resistor:47K Ohm
5	TXD	Output	UART output, TTL level
6	AUX	Output	Data in/out indication
7	SETB	Input	Parameter setting B; pull-up resistor: 10M Ohm

Table 1: DRF4463D20 Pin functions

ELECTRICAL SPECIFICATIONS

Symbol	Parameter (condition)	Min.	Typ.	Max.	Units
VCC	Supply Voltage. @ A1	2.1		3.6	V
	@A2	3.5		5.5	V
Temp	Operating temperature range	-20	25	70	°C
RH	Operating relative humidity	10		90	%
Freq	Frequency range	410		440	MHz
Mod	Modulation type		GFSK		
Ir	Current in receive mode @10K bps		15		mA
	@40K bps		16		
It	Current in transmit mode @ 20dBm		95		mA
Is	Sleep mode @3.3V		2.5	4.0	uA
Pout	Maximum output power			20	dBm
Sen	Receiving sensitivity @1K bps		-121		dBm
	Receiving sensitivity @10K bps		-111		dBm
DR _{GFSK}	RF data rate	1		40	Kbps
DR _{IN}	UART data rate	1.2		115.2	Kbps
Tw	Wake-up period	50		5000	ms
Tr ⁽¹⁾	Wake-up & Search preamble time .@1K bps		20		ms
	@2K bps		13		ms

	@5K bps		6.1		ms
	@10K bps		3.9		ms
	@20K bps		2.8		ms
	@40K bps		1.8		ms
Z _{ANT}	Antenna Impedance		50		Ohm

Table 2: DRF4463D20 Electrical Specifications

Note: If the receiver is configured to work in PWR-saving mode, it will wake up at fixed interval which can be set through MCU or USB configuration board. The parameter Tr is the total time which includes the time that receiver resumes normal receive status from sleep mode (crystal, I/O port and other circuits are triggered) and the time (about 16-bit long) that receiver searches the preamble.

ABSOLUTE MAXIMUM RATINGS

Symbol	Parameter	Min.	Max.	Units
VCC	Supply Voltage. @A1	-0.3	3.7	V
	@A2	-0.3	5.5	V
V _I	Input voltage	-0.3	VCC+0.3	V
V _O	Output voltage	-0.3	VCC+0.3	V
T _{ST}	Storage temperature	-55	125	°C

Table 3: DRF4463D20 Maximum Ratings

WORK MECHANISM

1. CODING FORMAT FOR WIRELESS DATA PACKAGE

PREAMBLE	SYNC WORD	DATA+FEC+CRC
----------	-----------	--------------

Table 4: DRF4463D20 Coding Format

The preamble is alternative “1010” codes which are used to make the clock of receiver synchronous with transmitter. In normal conditions, 40-bit preamble is enough for use. When DRF4463D20 works in power-saving mode, the preamble also can be functioned to wake up the receiver so it must be long enough in order to obtain such a function.

E.g. if the receiver is configured to wake up at the interval of one second, it wakes up every second and searches the preamble for 16-bit long time. In this case the transmitter must be configured to work in mode 2 so the longer preamble plus synchronous word will be sent, which means the receiver can detect the preamble in wake-up period successfully.

This section shows the data frame structure in wireless transmission. The preamble, sync word,

FEC/CRC are processed by DRF4463D20 modules automatically so users only need to send data to modules at the predefined UART data format and don't need to consider these factors.

2. WORKING MODE

DRF4463D20 can work in 4 different modes which can be realized by configuring the levels of SETA and SETB pins. The two pins have weak pull-up and can't be floated in normal operation in case the module will work unsteadily. Please note that the interface level of the host must be very close to the working voltage of DRF4463D20 and the tolerance between them can't exceed $\pm 0.3V$ or else there will be large sink or source current. For example, if the working voltage of DRF4463D20 is 3.3V, the power supply for the host should be in the range of 3.0~3.6V.

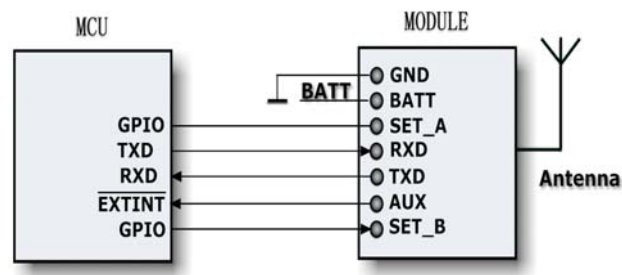


Figure 1: Connection Diagram

2.1 Normal mode: SETA=0 & SETB=0

The DRF4463D20 module sets AUX pin to low and monitor the level of SETB after the RXD pin of module receives the first byte from the host successfully. After the module receives the last byte of data package, it will wait for a short period (2~3 bytes). If there is no data coming in this period, the AUX pin will be set to high and the module will transmit the 40-bit long preamble, sync word and data after CRC and FEC. When all the data are sent out wirelessly, the module will enter corresponding mode according the levels of SETA and SETB. In this mode the preamble in transmitted data package is not long so the receiver module must work in Mode 1 or 2 (continuous receive mode).

After transmit is finished, the module works in continuous receive status in this mode. When the module detects the data from present wireless channel and checks the data package is effective after decoding, it will set AUX pin to low and output data to UART interface. When data transfer is finished, the AUX pin will be set to high again.

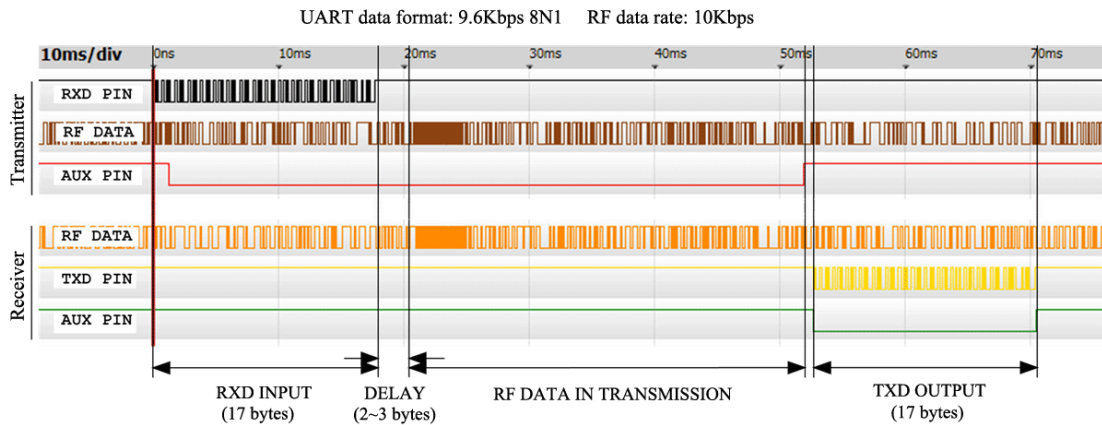


Figure 2: Timing Sequence in Data Transmission

In the situation that needs the data packages to be sent continuously with delay as less as possible, users can take full use of AUX pin to reduce the waiting time of 2~3 bytes long. When DRF4463D20 detects the data from the host through RXD pin, it will set AUX pin to low. The module will set AUX pin to high again when it begins to transmit this package wirelessly. As soon as the host detects the AUX is high again, it can transfer the second package to the RXD pin of DRF4463D20 so the module doesn't need to wait for 2~3 bytes time and transmits the data in the buffer out wirelessly at once.

Continuous Transmission

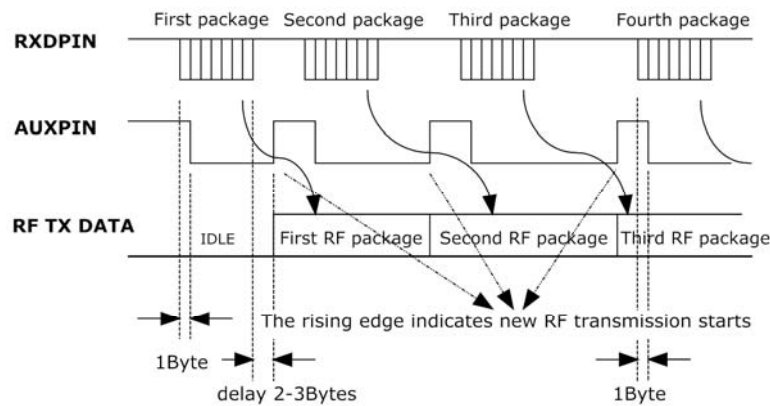


Figure 3: Continuous Transmission in Normal Mode

2.2 Wake-up mode: SETA=0 & SETB=1

The DRF4463D20 module sets AUX pin to low and monitor the level of SETB after the RXD pin of module receives the first byte from the host successfully. After the module receives the last byte of data package, it will wait for a short period (2~3 bytes). If there is no data coming in this period, the AUX pin will be set to high and transmit a long preamble (1 wake-up period plus extra 32 bits), sync word and data after CRC and FEC. When all the data are sent out wirelessly, the module will enter corresponding mode according the levels of SETA and SETB. In this mode the preamble in transmitted data package is long enough so the receiver module

can work in Mode 1, 2 or 3.

After transmit is finished, the module works in continuous receive status in this mode. When the module detects the data from present wireless channel and checks the data package is effective after decoding, it will set AUX pin to low and output data to the host through UART interface. When data transfer is finished, the AUX pin will be set to high again. Different from Mode 1, the RSSI value is attached at the end of received data package automatically so the last byte of each data package is the RSSI value in this mode.

$$\text{RSSI (in dBm)} = (\text{RSSI_value} / 2) - 130$$

If the size of data package from the host exceeds 97 bytes, the data will be sliced into 97 bytes for the first data package by module and the remaining data will be regarded as the second package. Each package will be attached with RSSI value.

2.3 Power saving mode: SETA=1 & SETB=0

The serial port of module is disabled. The receiver will wake up at predefined interval and monitor if there is any preamble coming in present wireless channel. If the preamble is detected, the module will be in receive mode continuously and wait for the whole preamble and sync word. After receiving the data package and verifying it successfully, the module will set AUX pin to low in order to wake up the host (MCU or other external device). After 5 ms delay, the module will enable UART interface and output data to the host. When data transfer is finished, the UART interface will be disabled again and AUX will be set to high. If the levels of SETA and SETB are not changed, the module will enter into sleep mode again and wake up at the next wake-up period.

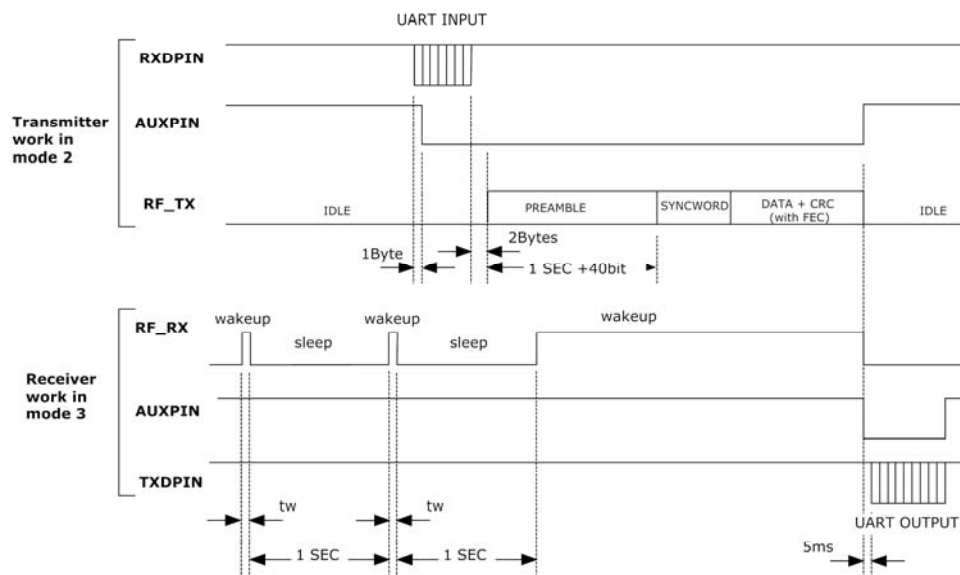


Figure 4: Transmit Module in Mode 2 and Receive Module in Mode 3

2.4 Sleep mode: SETA=1 & SETB=1

In this mode, the UART port is disabled and levels of port are kept in previous status. The RF circuit, MCU clock and related peripheral circuits are all shut down but the watchdog and low frequency clock still work so that the MCU can be waken up quickly in very short time and the watchdog can be cleared. The current of module is about 2.5uA in this mode.

DRF4463D20 module enters into sleep status by software control. In sleep status the levels of serial port are kept in the same status just before entering sleep mode. It only needs 20us to wake up the module from sleep status, which means data can be output to serial port after SETA pin is set to low for more than 20us. When the module is in transmit/receive process, it only can enter power-saving or sleep mode after the transmitting or receiving process is finished.

When DRF4463D20 works in power saving or sleep mode, users can set pin SETA to low to wake up the module and output data to its RXD pin. If the module receives the first byte of data package, it will set AUX pin to low and check the level of pin SETB. If SETB is high, longer preamble is transmitted; otherwise the normal preamble is transmitted. If users want to let the module enter into sleep mode after transmission is finished, users can set SETA to high after AUX pin is low because the module will check the level of SETA automatically when data is transmitted out successfully. If the SETA pin is high, the module then enters into sleep mode. Users can judge if the wireless data transmission is finished by checking the level of AUX.

DRF4463D20 integrates two 256-byte buffers. The module starts to send wireless data according to one of the two conditions below:

- There is no data to RXD pin in 2~3 bytes time (about 2~3ms @9.6k bps UART data rate).
- The size of data package to RXD pin is equal or exceeds 97 bytes. DRF4463D20 will send out the 97 bytes data in buffer immediately as the first data package after encoding and the remaining data as the second data package; meanwhile the RXD pin still can receive data from the host continuously.

POWER CONSUMPTION CALCULATION

The power saving of module is realized by the periodical wake-up/sleep of modules so the power consumption is determined by the wake-up period, T_R and current in sleep mode. The wake-up period of module ranges from 50ms to 5s. T_R is related to RF data rate which can be configured. The battery life T can be calculated by the function:

$$T = \frac{\text{Battery_capacity}(mAH)}{(T_r / (T_w + T_r)) * I_r + I_s}$$

Assuming that the battery is lithium battery 3600mAH/3.6V, $I_r=15mA$, $I_s=2.5uA$, RF data rate=10K bps, $T_w=1s$, the battery life T can be calculated as:

$$T = \frac{3600\text{mAH}}{(3.9\text{ms}/(1000\text{ms} + 3.9\text{ms})) * 15\text{mA} + 0.0025\text{mA}} \approx 59237\text{Hour} \approx 6.76\text{Year}$$

Considering the self-discharge of battery different in different current, working temperature and MCU, the actual battery life might be shorter than the theoretical value. Because of the passivation phenomenon, the innate resistance of battery will increase in low current situation for which super-capacitor (e.g. 0.47F/5V) can be added in parallel in order to reduce resistance and improve the transient drive ability.

PARAMETER SETTING

Users can configure the parameters (frequency, data rate, output power, etc.) of RF modules by MCU or PC through converter boards DAC01 or DAC02.

- ◆ **BY PC:** The interface of DRF4463D20 is UART/TTL. If connecting it to PC, users need to use a level converter board to transform the different levels. Dorji Applied Technologies provides converter boards DAC01 (TTL-to-RS232) and DAC02 (TTL-to-USB) for configuration.

Firstly users need to insert module into converter board and connect converter board to PC by cable, then run DRF tool(in Windows vista or above, the tool should be run as administrator). After that the status column of tool should display “Found Device”. Users then can read/write the module. At present the tool only recognizes the com port number below 10. For more details, please check the operation manuals of converter boards on accessory page.

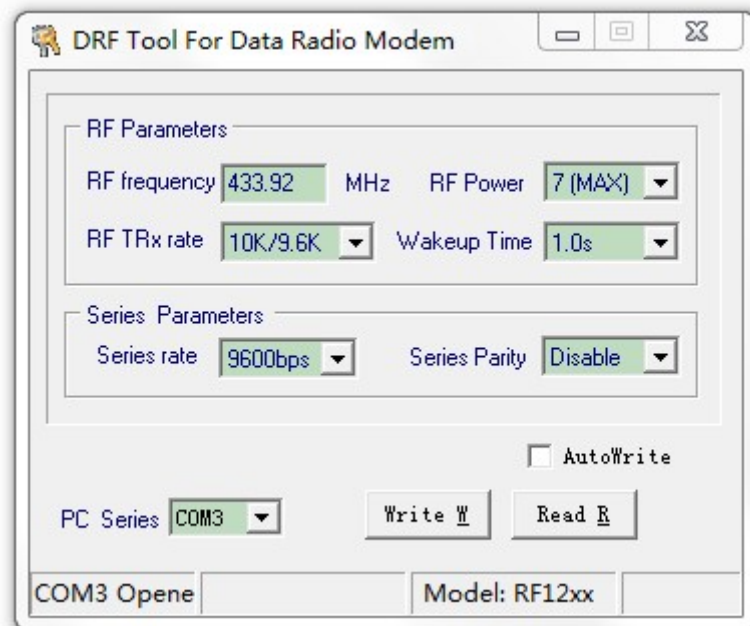


Figure 5: DRF TOOL for DRF4463D20 Module

- **BY MCU.** The module can work normally after power-on for 500ms (T1). When configuring the DRF4463D20, users need to switch it to Mode 4 from other modes. After the module enters into sleep mode for 10ms or more (T2), it can be configured through MCU. When commands are output to RXD pin, the module will be waken up no matter what status of UART interface is and it will use 9600 bps (series data rate) and no parity check as default data format to configure parameters. If the commands are set correctly, the module will give response and then it will be reset and initialized. After 500ms (T4), the module will work with the new parameters. Please note that if the commands are set incorrectly, the module will give no feedback but it will still be reset and initialized. Users can take this advantage to wake up modules in long-term sleep or in the cases which need to reset the modules.

The commands of DRF4463D20 are in HEX format. The configuring data rate is 9600 bps and no parity check. The command set includes two commands: Read command and Write command.

Read command: 0xFF,0x56,0xAE,0x35,0xA9,0x55,0xF0

Response: 0x24, Mt, Mv, Freq,DRFSK,POUT,DRIN,Parity,Tw

Write command: 0xFF,0x56,0xAE,0x35,0xA9,0x55,0x90,Freq,DRFSK,POUT,DRIN, Parity,Tw

Response: 0x24, Mt, Mv, Freq,DRFSK,POUT,DRIN,Parity,Tw

Para	Unit	Bytes	Explanation
Mt	---	1	module type: 0x0a
Mv	---	1	module version 0x00~0xff; unchangeable
Freq.	KHz	3	433920 KHz = 0x06, 0x9F, 0x00
DRFSK	K bps	1	1, 2, 5,10, 20, 40K bps equal to 0x00,0x01,0x02,0x03,0x04,0x05
POUT	dBm	1	0~7 = 0x00 to 0x07. One increment increases 3dBm. 0x07 refers to the max output power (20dBm).
DRIN	K bps	1	1.2, 2.4, 4.8, 9.6, 19.2, 38.4, 57.6, 115.2K bps refer to 0x00,0x01, 0x02, 0x03,0x04,0x05,0x06,0x07
Parity	---	1	0x00: no parity; 0x01: even parity; 0x02: odd parity
Tw	s	1	0.05, 0.1, 0.2, 0.4, 0.6, 1, 1.5, 2, 2.5, 3, 4, 5 corresponding to 0x00~0x0b

Table 6: DRF4463D20 Parameter Coding

E.g. If the user wants to set the module work at Freq (433.92MHz), DRFSK (10K bps), POUT (20 dBm), DRIN (9.6k bps), Parity (no parity), Tw (1s wake-up period), the command can be written as below:

Write Command: 0xFF,0x56,0xAE,0x35,0xA9,0x55,0x90,0x06,0x9F,0x00,0x03,0x07,0x03,
0x00,0x05

Response: 0x24,0x0a,0x01,0x06,0x9F,0x00,0x03,0x07,0x03,0x00,0x05

Please note that the value of module version byte might be different when the software version of DRF4463D20 is updated.

MECHANICAL DATA

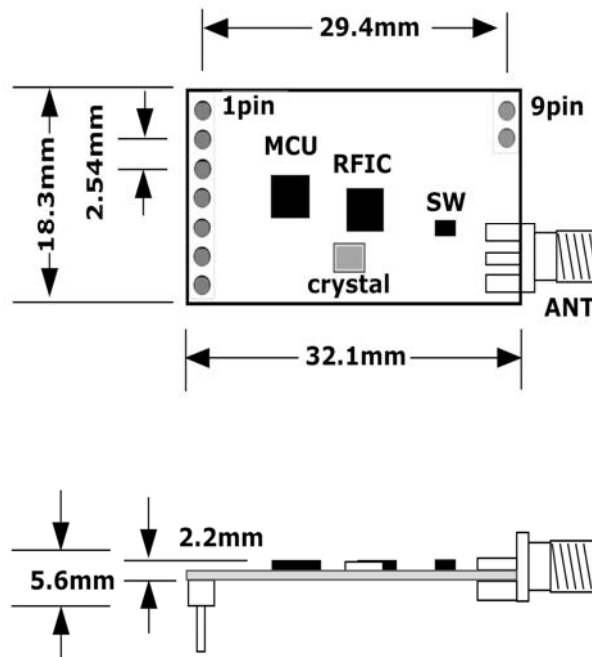


Figure 6: Mechanical Dimension

ORDERING INFORMATION

D RF 4463 D 20 — 043 A 1

① ② ③ ④ ⑤ ⑥ ⑦ ⑧

Num	Symbol	Meaning	Description
①	D	Code	Company code
②	RF	RF module	RF GFSK module
③	4463	IC Type	SI4463
④	D	Module Function	Data transmission
⑤	20	Power	20dBm output power
⑥	043	Freq. Band	433MHz
⑦	A	Package	DIP package with SMA connector
⑧	1	Working voltage	1: 2.1~3.3V 2: 3.5~5.5V

Table 7: Ordering Information

<p>Dorji Applied Technologies A division of <i>Dorji Industrial Group Co., Ltd</i></p> <p>Add.: Xinchenuayuan 2, Dalanganlu, Longhua, Baoan district, Shenzhen, China 518109</p> <p>Tel: 0086-755-28156122</p> <p>Fax.: 0086-755-28156133</p> <p>Email: sales@dorji.com</p> <p>Web: http://www.dorji.com</p>	<p>Dorji Industrial Group Co., Ltd reserves the right to make corrections, modifications, improvements and other changes to its products and services at any time and to discontinue any product or service without notice. Customers are expected to visit websites for getting newest product information before placing orders.</p> <p>These products are not designed for use in life support appliances, devices or other products where malfunction of these products might result in personal injury. Customers using these products in such applications do so at their own risk and agree to fully indemnify Dorji Industrial Group for any damages resulting from improper use.</p>
--	---