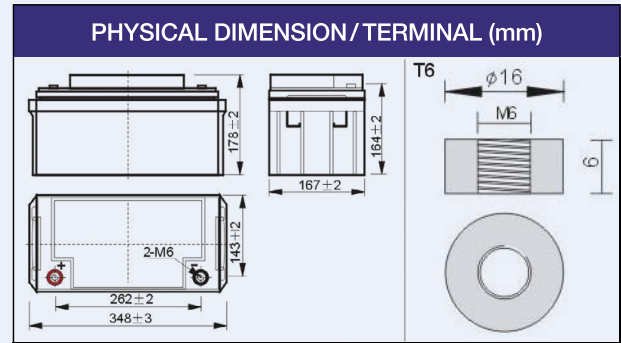
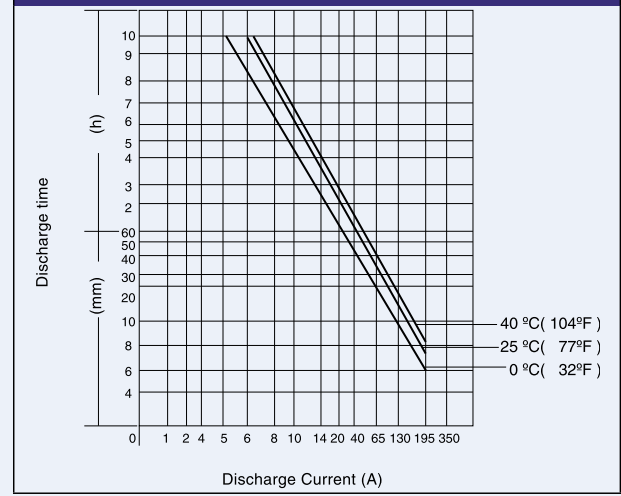


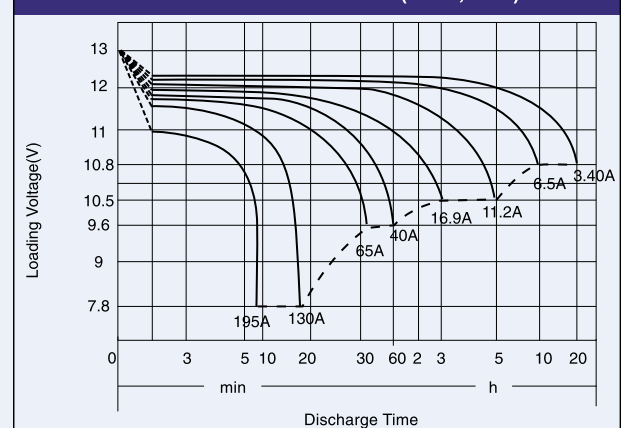
PS12650 Specifications



DISCHARGING CURRENT & DISCHARGE DURATION TIME



DISCHARGE CHARACTERISTICS (25°C, 77°F)



PHYSICAL SPECIFICATION

Nominal Voltage		12V
Nominal Capacity (10HR)		65AH
Dimension	Length	348 ± 3mm (13.70 inches)
	Width	167 ± 2mm (6.57 inches)
	Container Height	178 ± 2mm (7.01 inches)
	Total Height (with Cover)	178 ± 2mm (7.01 inches)
Weight		Approx 19.2kg (42.3 lbs)
Terminal Type		T6

ELECTRICAL SPECIFICATION

Rated Capacity	20 hour rate (3.40 A)	68.0AH	Constant-Voltage Charge	Cycle	Initial Charging Current less than 19.5A. Voltage 14.4V~ 15.0V at 25°C (77°F) Temp. Coefficient -30mV/°C
	10 hour rate (6.50 A)	65.0AH			
Capacity affected by Temperature	5 hour rate (11.2 A)	56.0AH	Standby	No limit on Initial Charging Current Voltage 13.5V~13.8V at 25°C (77°F) Temp. Coefficient -20mV/°C	
	3 hour rate (16.9 A)	50.7AH			
	1 hour rate (40.0 A)	40.0AH			
	40°C (104°F)	103%			
25°C (77°F)	100%				
0°C (32°F)	86%				

CONSTANT CURRENT (AMP) AND CONSTANT POWER (WATT) DISCHARGE TABLE (25°C, 77°F)

Time (minute) Final voltage	Amp/Watt/Cell														
	10	15	20	30	45	60	120	180	240	300	360	480	600	1200	
A	1.3	1.3	1.3	1.6	1.6	1.6	1.7	1.75	1.75	1.75	1.75	1.8	1.8	1.8	
W	305.5	234.0	191.1	141.1	103.4	79.2	45.2	33.7	25.9	22.3	19.8	15.5	13.0	6.80	

FREECALL: 1800 067 674
 Email: sales@wiltronics.com.au
 www.wiltronics.com.au

