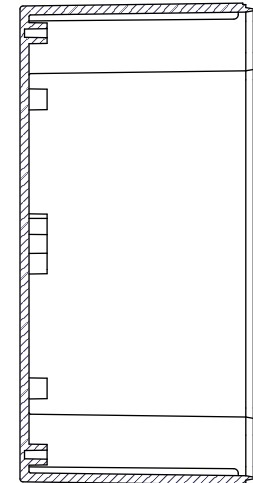
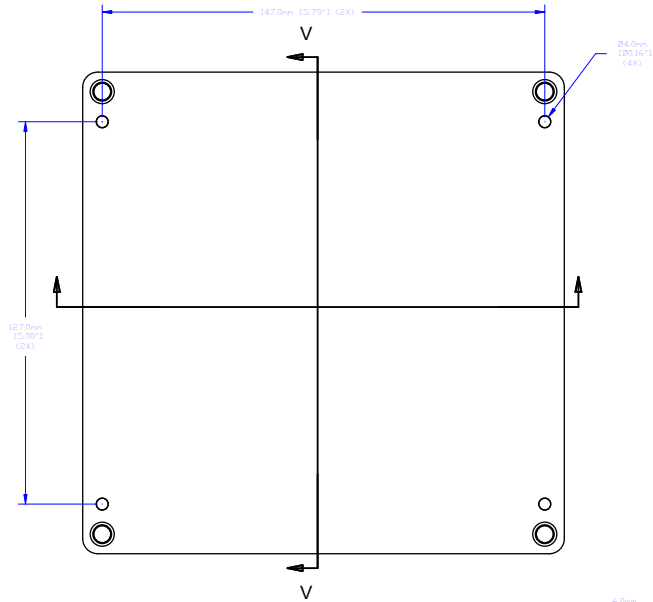
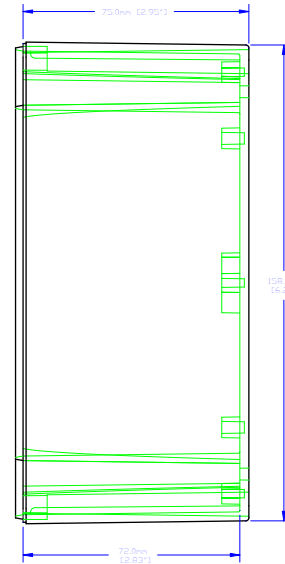
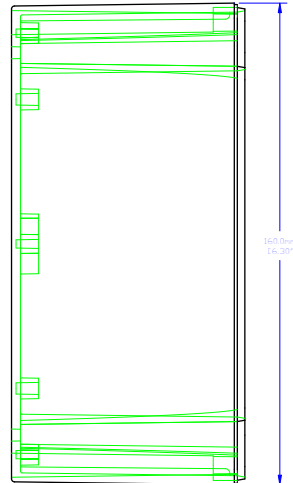
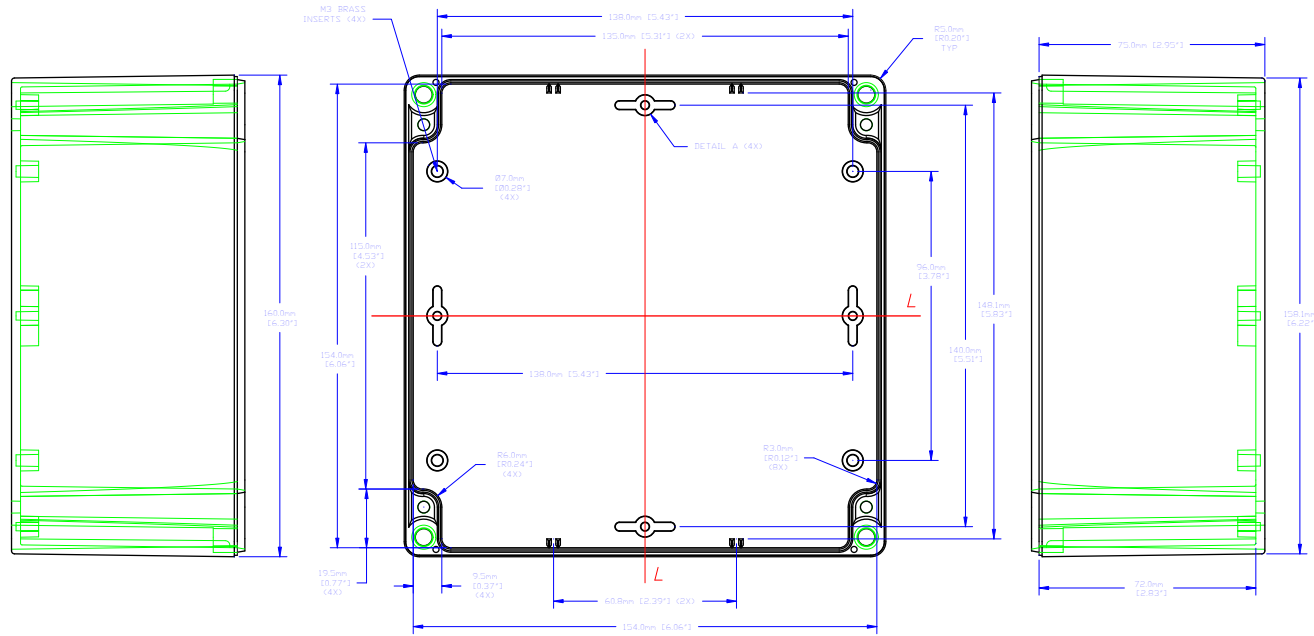
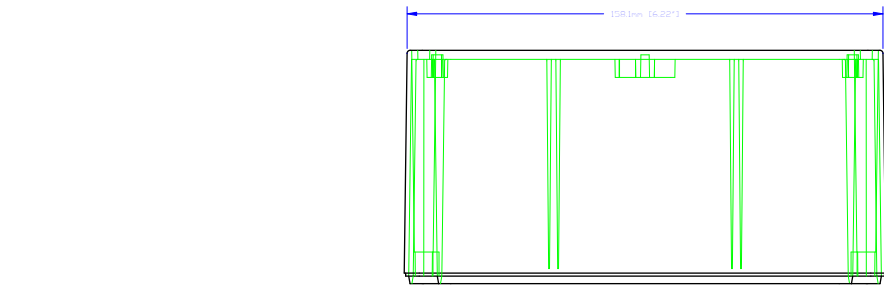
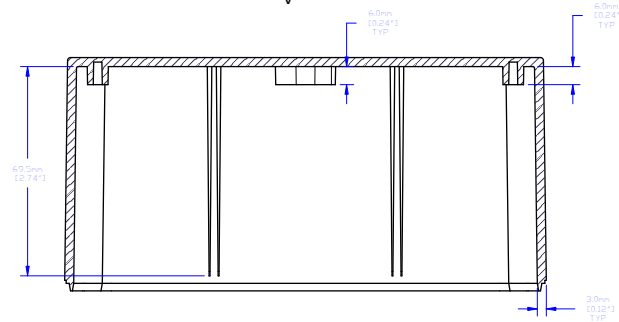
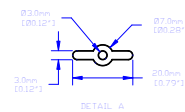


NOTES

FOR MORE DETAILED INFORMATION GO TO THE HAMMOND WEB SITE



SECTION V-V
SCALE 1:1



SECTION U-U
SCALE 1:1

For the best fit print on legal size paper.

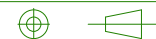


HAMMOND MANUFACTURING CO. LTD.
Electronics Group, Waterloo, Ont. - Cheektowago, NY

VISIT US ON THE WORLD WIDE WEB: WWW.HAMMONDMFG.COM

THIS DRAWING IS PROPRIETARY INFORMATION OF HAMMOND MFG.CO.LTD. NOT TO BE USED WITHOUT EXPRESSED WRITTEN PERMISSION OF HAMMOND MFG.CO.LTD.

Dwg Rev. # -



Mat'l ABS PLASTIC OR POLYCARBONATE

Sheet 1 of 1

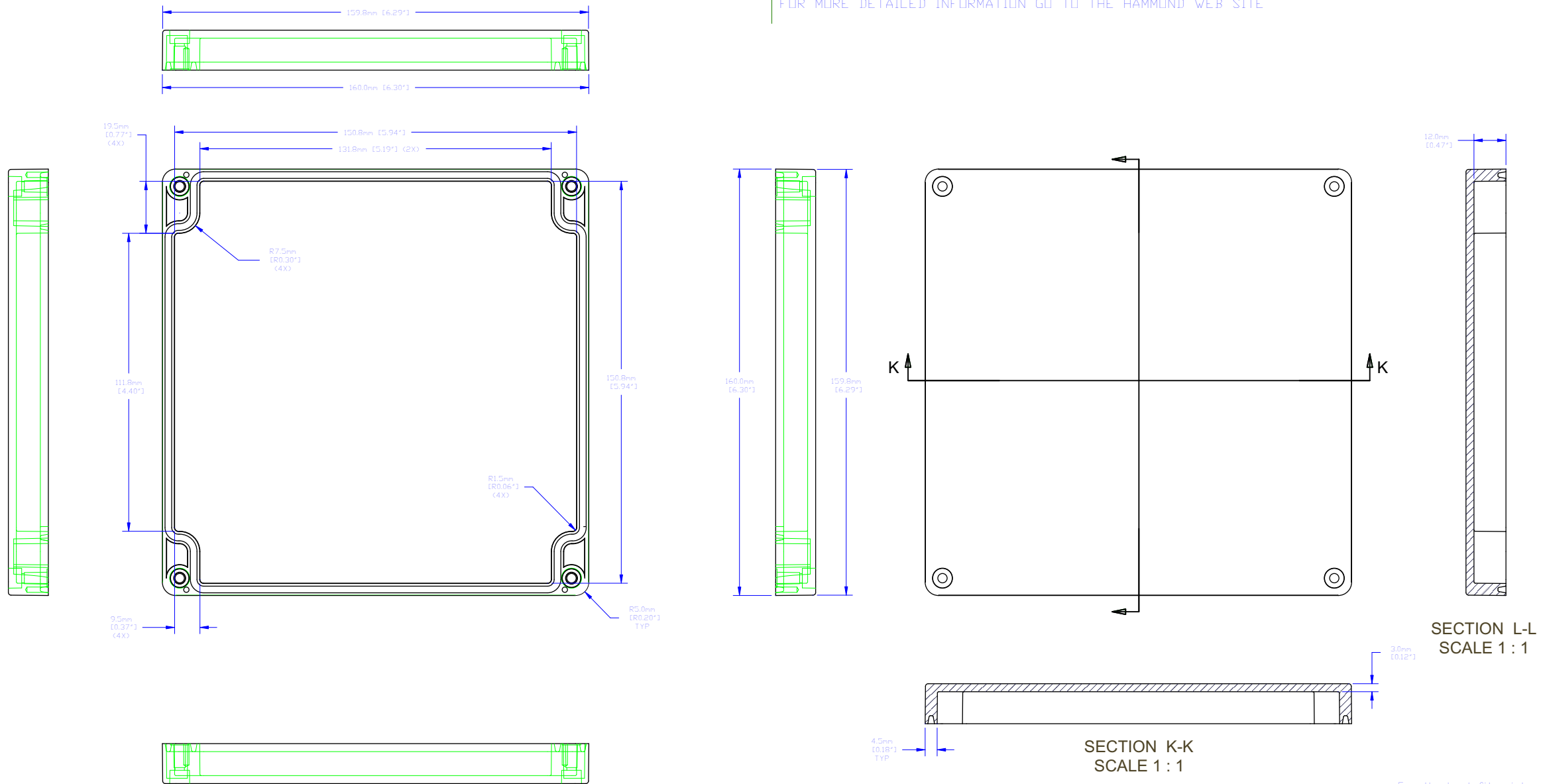
HAMMOND 1554 SERIES

Part#: 1554S

Dwg: 1554S-BOX

NOTES

FOR MORE DETAILED INFORMATION GO TO THE HAMMOND WEB SITE



SECTION L-L
SCALE 1 : 1

SECTION K-K
SCALE 1 : 1

For the best fit print on legal size paper.

 HAMMOND MANUFACTURING CO. LTD.
Electronics Group, Waterloo, Ont. - Cheektowaga, NY

VISIT US ON THE WORLD WIDE WEB: WWW.HAMMONDMFG.COM

THIS DRAWING IS PROPRIETARY INFORMATION OF HAMMOND MFG.CO.LTD. NOT TO BE USED WITHOUT EXPRESSED WRITTEN PERMISSION OF HAMMOND MFG.CO.LTD.

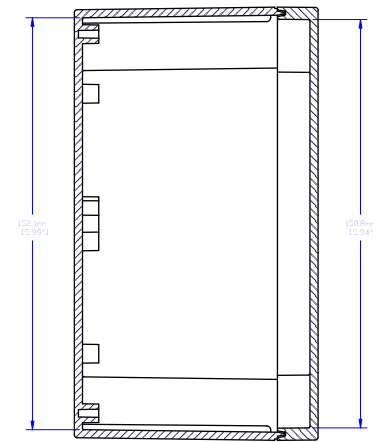
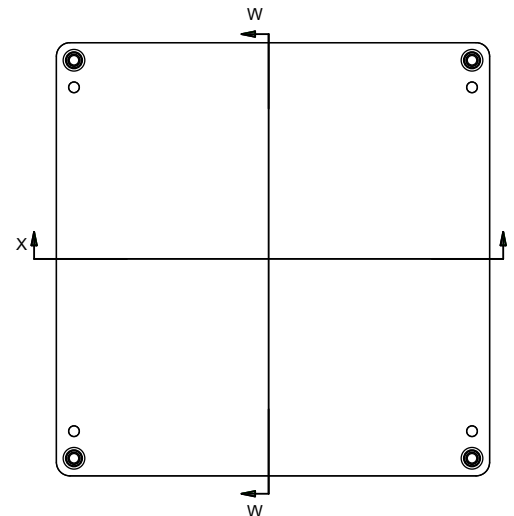
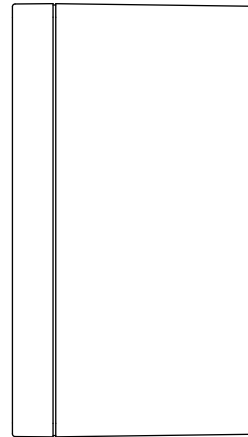
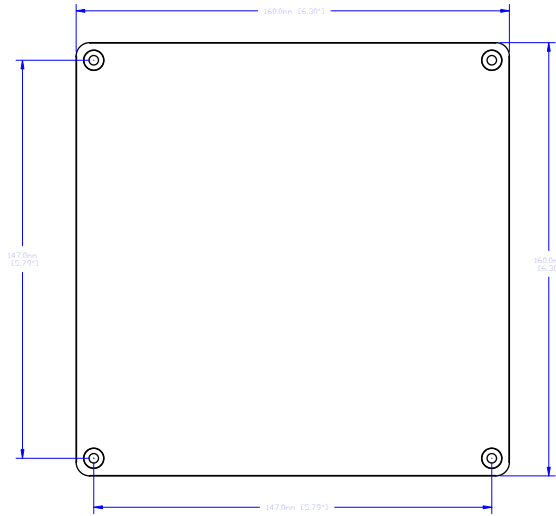
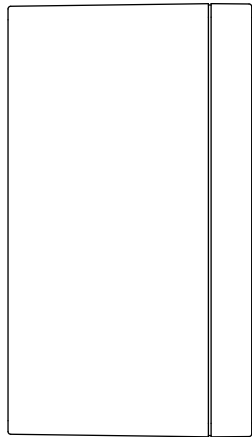
Dwg Rev. #	-	Mat'l	ABS PLASTIC OR POLYCARBONATE
Sheet	1	of	4

HAMMOND 1554 SERIES

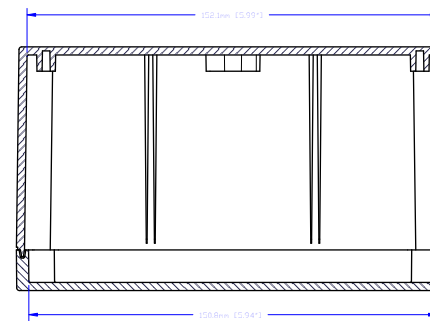
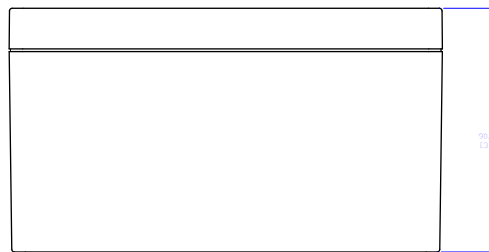
Part#: 1554S Dwg: 1554S-LID

NOTES

FOR MORE DETAILED INFORMATION GO TO THE HAMMOND WEB SITE

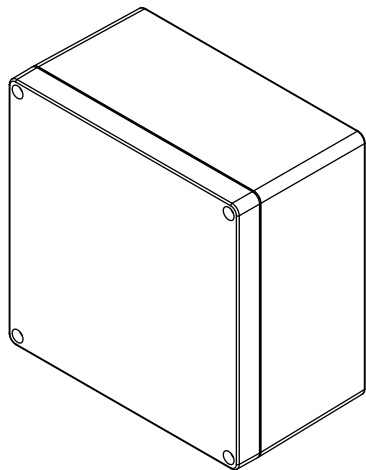


SECTION W-W
SCALE 1:1



SECTION X-X
SCALE 1:1

For the best fit print
on legal size paper.



HA HAMMOND MANUFACTURING CO. LTD.
Electronics Group, Waterloo, Ont. - Cheektowaga, NY

VISIT US ON THE WORLD WIDE WEB: WWW.HAMMONDMFG.COM

THIS DRAWING IS PROPRIETARY INFORMATION OF
HAMMOND MFG.CO.LTD. NOT TO BE USED WITHOUT
EXPRESSED WRITTEN PERMISSION
OF HAMMOND MFG.CO.LTD.

Dwg Rev. # -
⊕

Mat'l ABS PLASTIC
OR POLYCARBONATE
Sheet 3 of 4

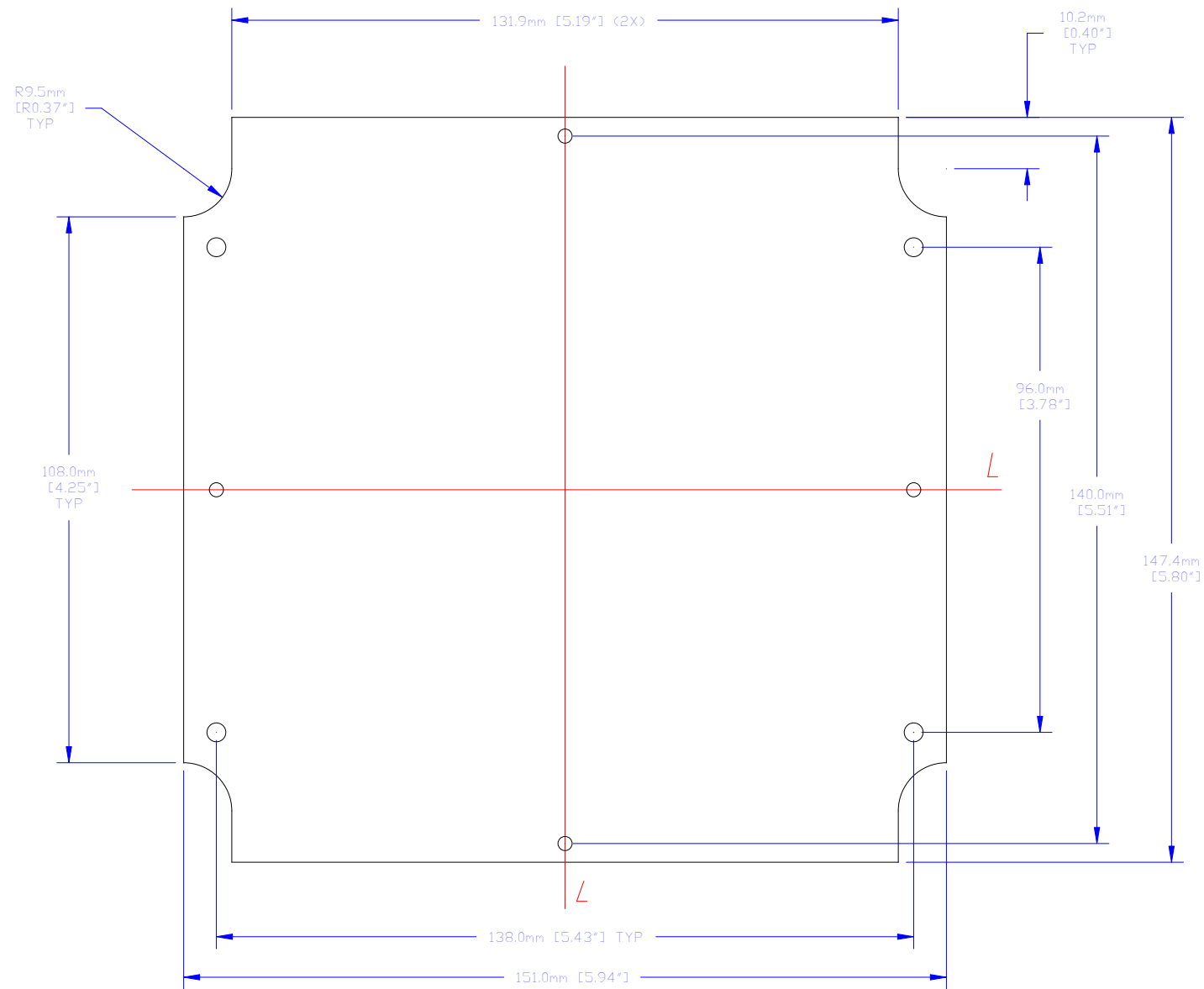
HAMMOND 1554 SERIES

Part#: 1554S

Dwg: 1554S-ASSEM

NOTES

FOR MORE DETAILED INFORMATION GO TO THE HAMMOND WEB SITE





For the best fit print on legal size paper.

 HAMMOND MANUFACTURING CO. LTD.
Electronics Group, Waterloo, Ont. - Cheektowaga, NY

VISIT US ON THE WORLD WIDE WEB: WWW.HAMMONDMFG.COM

THIS DRAWING IS PROPRIETARY INFORMATION OF HAMMOND MFG.CO.LTD. NOT TO BE USED WITHOUT EXPRESSED WRITTEN PERMISSION OF HAMMOND MFG.CO.LTD.

Dwg Rev. #	-	Mat'l	14 GA. GALV-STEEL
		Sheet	1 of 1

HAMMOND 1554 SERIES

Part#: 1554RPL

Dwg: 1554S-PANEL