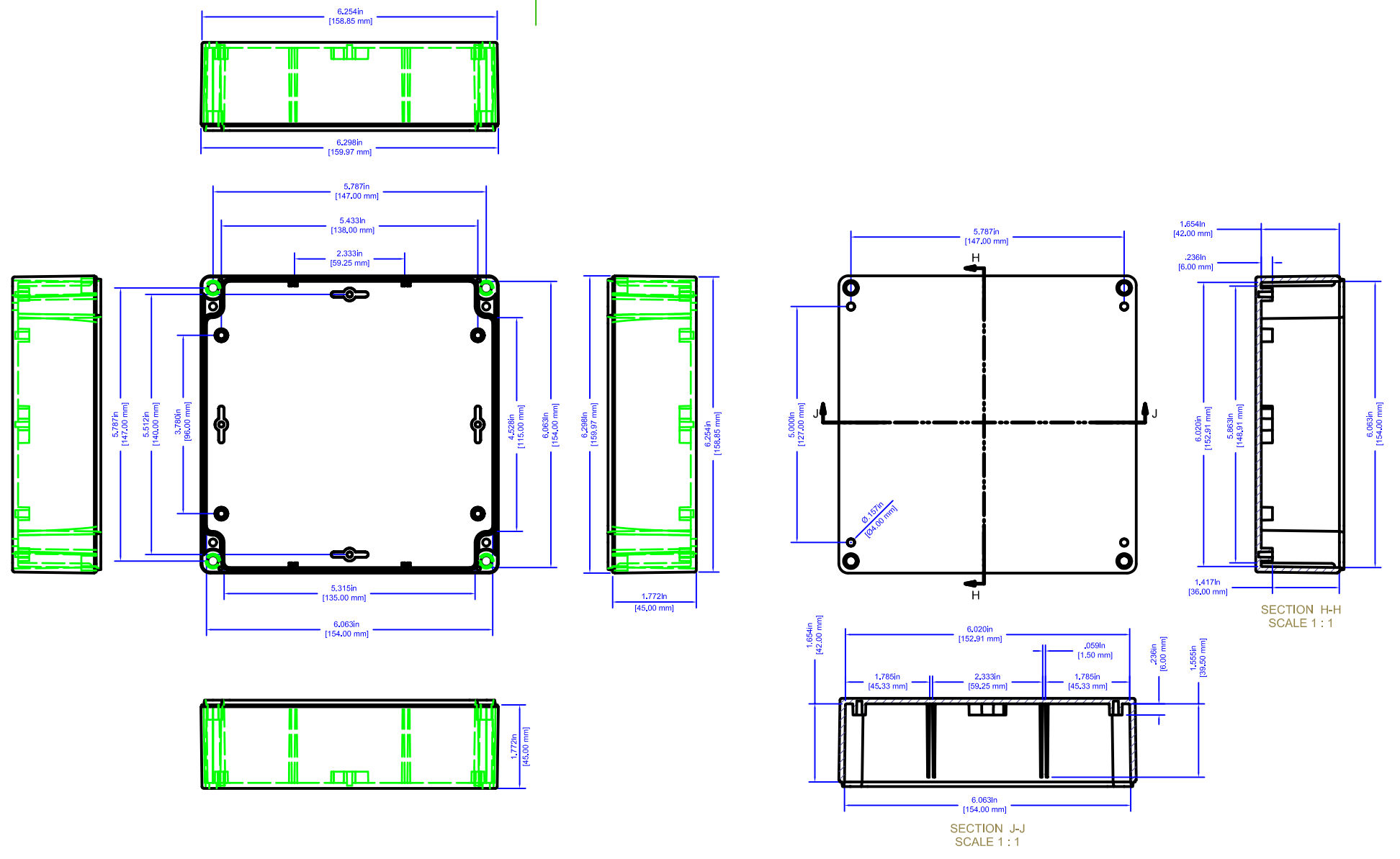


NOTES

FOR CONSTRUCTION DETAILS GO TO WWW.HAMMONDMFG.COM



THIS DRAWING IS PROPRIETARY INFORMATION OF HAMMOND MFG.CO.LTD. NOT TO BE USED WITHOUT EXPRESSED WRITTEN PERMISSION OF HAMMOND MFG.CO.LTD.

△	N/A	REVISION	----	05/01/03	
Rev	ECN	Description		Date	By

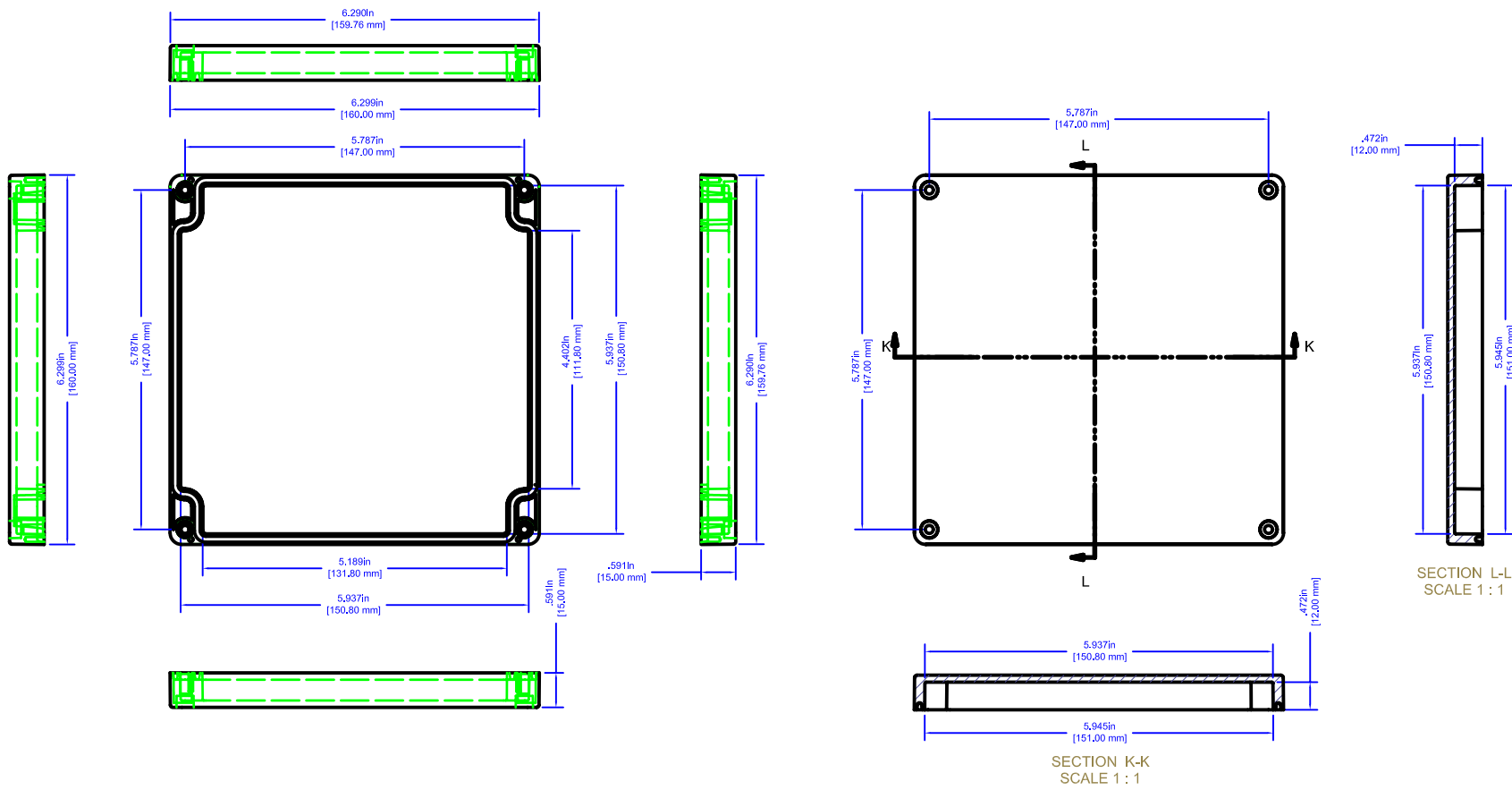
Unless otherwise spec'd dimensions are in inches
Tolerances are:
.X ± .1
.XX ± .01
.XXX ± .002
.XXXX ± .0001
Holes ± .002
Angles ± .5

Dwn	R. BOEHLER
Date	05/01/03
Chk	---
Mat'l	ABS POLYCARBONATE
Sheet	1 of 3

HAMMOND MANUFACTURING CO. LTD.
Electronics Group, Waterloo, Ont. -
Cheektowaga, NY www.hammondmfg.com

HAMMOND 1554 SERIES

Part#: 1554R BOX Dwg: 1554R



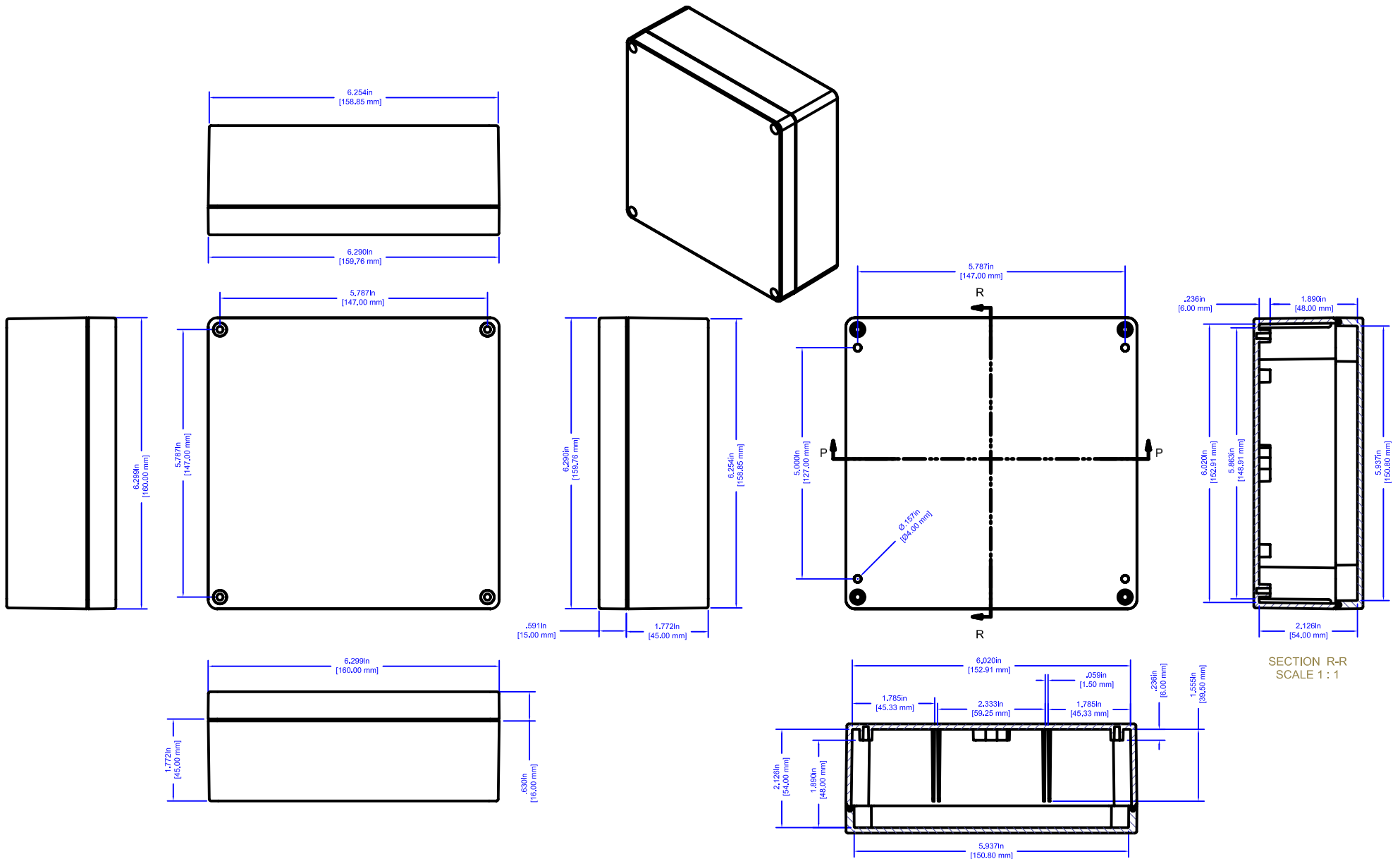
THIS DRAWING IS PROPRIETARY INFORMATION OF HAMMOND MFG.CO.LTD. NOT TO BE USED WITHOUT EXPRESSED WRITTEN PERMISSION OF HAMMOND MFG.CO.LTD.

△	N/A	REVISION	----	05/01/03	
Rev	ECN	Description		Date	By

Unless otherwise spec'd dimensions are in inches
Tolerances are:
.X ± .1
.XX ± .01
.XXX ± .002
.XXXX ± .0001
Holes ± .002
Angles ± .5

Dwn	R. BOEHLER
Date	05/01/03
Chk	---
Mat'l	ABS POLYCARBONATE
Sheet	2 of 3

	HAMMOND MANUFACTURING CO. LTD. Electronics Group, Waterloo, Ont. - Cheektowaga, NY www.hammondmfg.com		
	<h1>HAMMOND 1554 SERIES</h1>		
Part#:	1554R LID	Dwg:	1554R



SECTION R-R
SCALE 1 : 1

SECTION P-P
SCALE 1 : 1

THIS DRAWING IS PROPRIETARY INFORMATION OF HAMMOND MFG.CO.LTD. NOT TO BE USED WITHOUT EXPRESSED WRITTEN PERMISSION OF HAMMOND MFG.CO.LTD.

△	N/A	REVISION	----	05/01/03	
Rev	ECN	Description		Date	By

Unless otherwise spec'd dimensions are in inches
Tolerances are:
.X ± .1
.XX ± .01
.XXX ± .002
.XXXX ± .0001
Holes ± .002
Angles ± .5

Dwn	R. BOEHLER
Date	05/01/03
Chk	---
Mat'l	ABS POLYCARBONATE
Sheet	3 of 3

HAMMOND MANUFACTURING CO. LTD. Electronics Group, Waterloo, Ont. - Cheektowaga, NY www.hammondmfg.com	
<h1>HAMMOND 1554 SERIES</h1>	
Part#:	ASSEMBLED
Dwg:	1554R