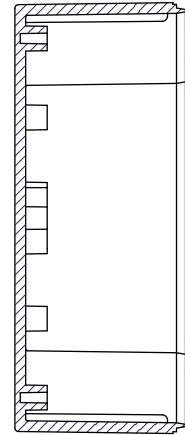
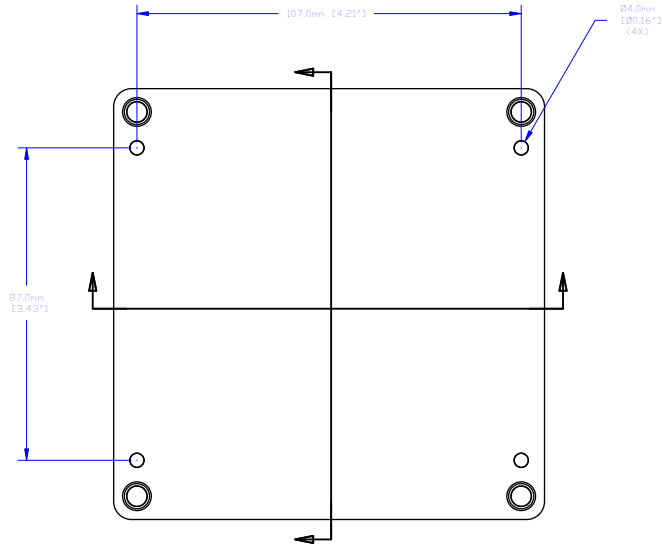
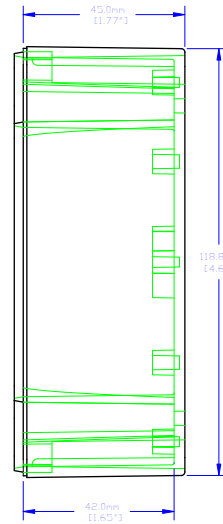
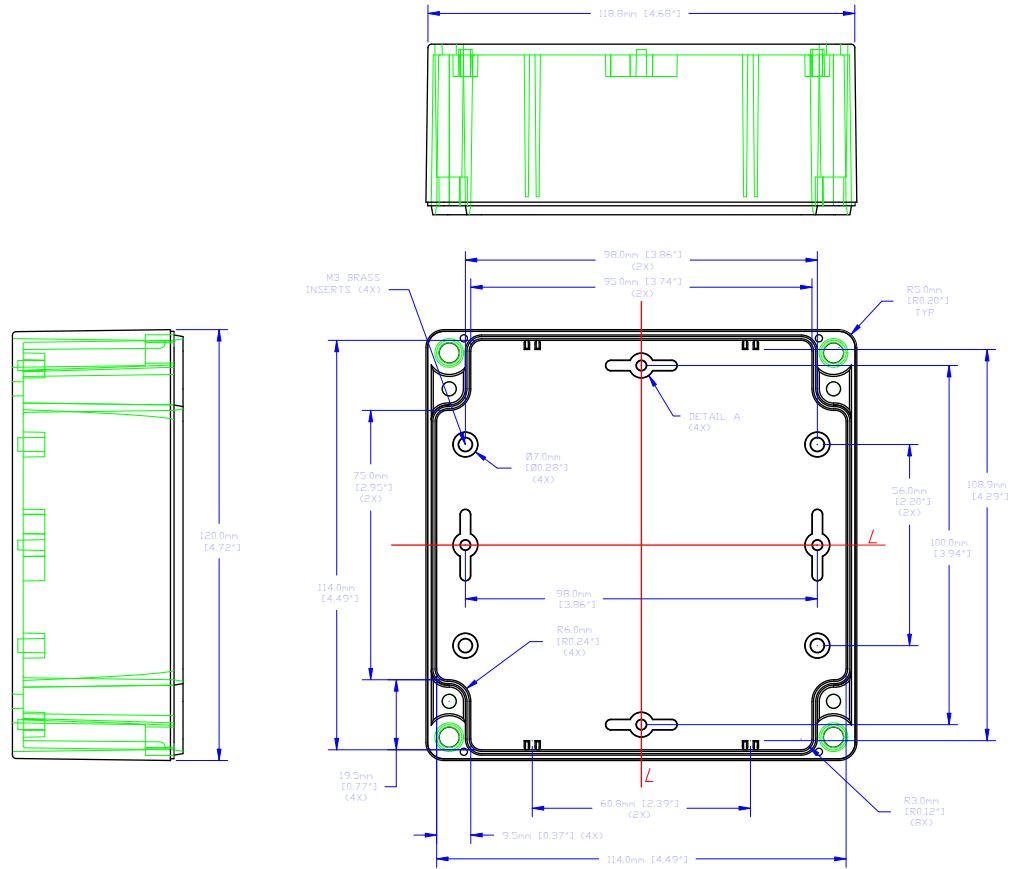
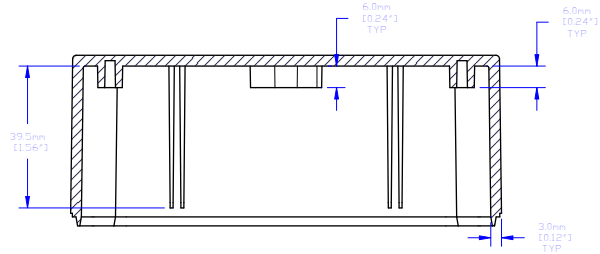
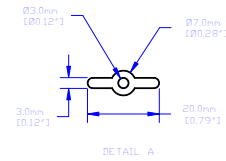
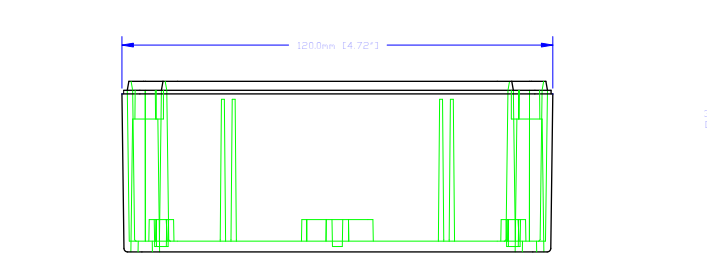


NOTES
FOR MORE DETAILED INFORMATION GO TO THE HAMMOND WEB SITE



SECTION D-D
SCALE 1 : 1



SECTION E-E
SCALE 1 : 1

For the best fit print
on legal size paper.

VISIT US ON THE WORLD WIDE WEB: WWW.HAMMONDMFG.COM

THIS DRAWING IS PROPRIETARY INFORMATION OF
HAMMOND MFG.CO.LTD. NOT TO BE USED WITHOUT
EXPRESSED WRITTEN PERMISSION
OF HAMMOND MFG.CO.LTD.

Dwg Rev. #	-	Mat'l	ABS PLASTIC OR POLYCARBONATE
Sheet	1	of	4

HAMMOND MANUFACTURING CO. LTD.
Electronics Group, Waterloo, Ont. - Cheektowaga, NY

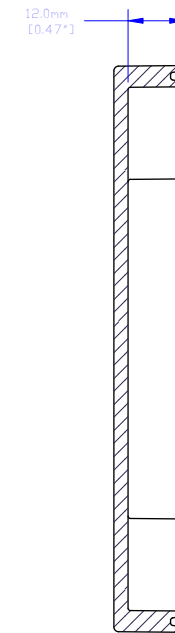
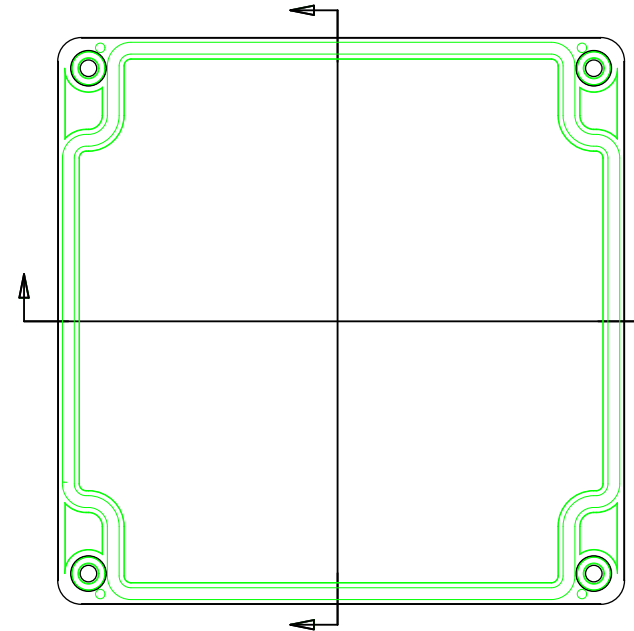
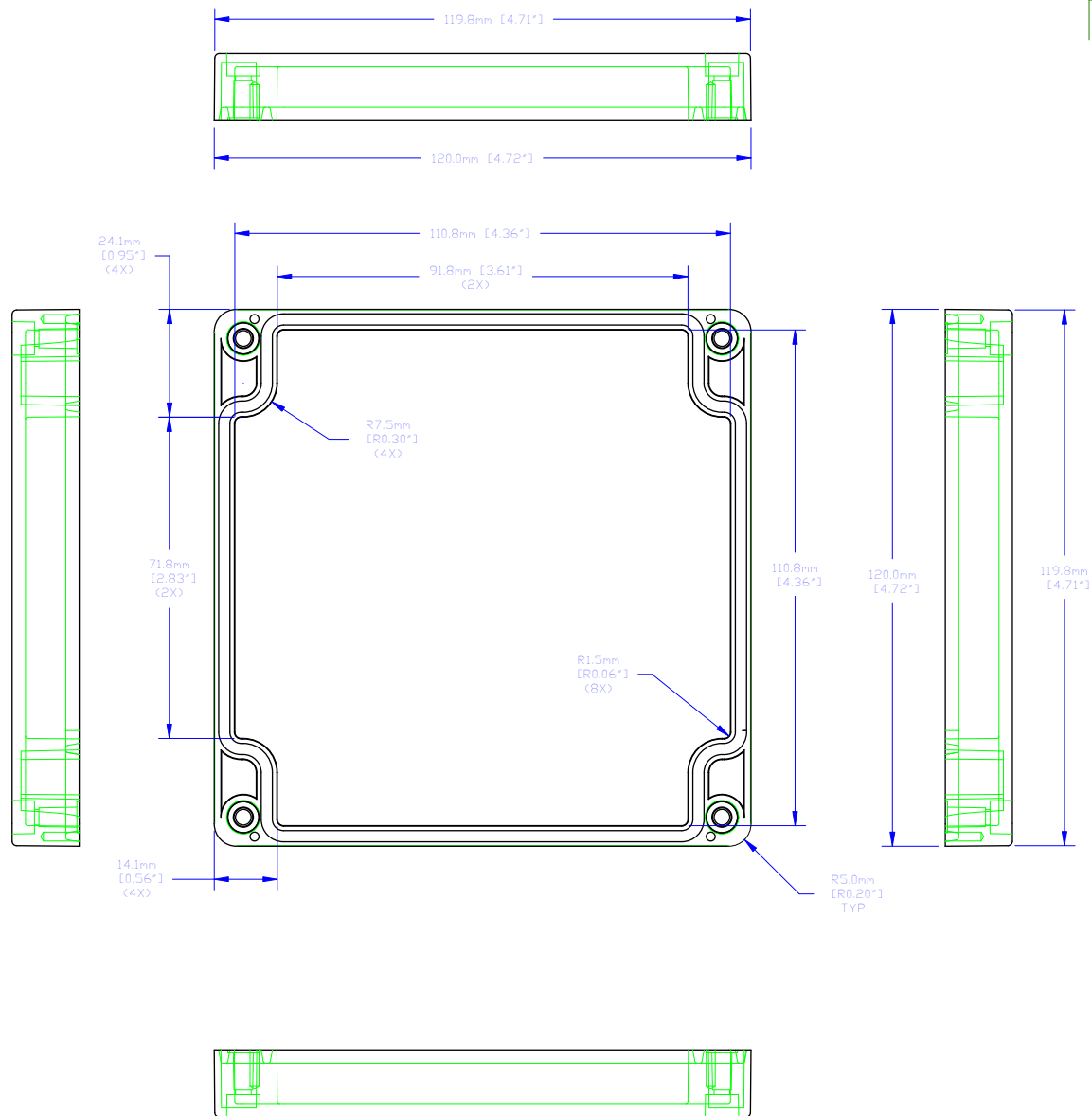
HAMMOND 1554 SERIES

Part#: 1554N

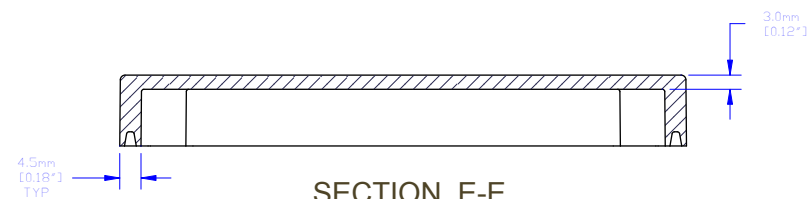
Dwg: 1554N-BOX

NOTES

FOR MORE DETAILED INFORMATION GO TO THE HAMMOND WEB SITE



SECTION D-D
SCALE 1 : 1



SECTION E-E
SCALE 1 : 1

For the best fit print on legal size paper.

HAMMOND MANUFACTURING CO. LTD.
Electronics Group, Waterloo, Ont. - Cheektowaga, NY

VISIT US ON THE WORLD WIDE WEB: WWW.HAMMONDMFG.COM

THIS DRAWING IS PROPRIETARY INFORMATION OF HAMMOND MFG.CO.LTD. NOT TO BE USED WITHOUT EXPRESSED WRITTEN PERMISSION OF HAMMOND MFG.CO.LTD.

Dwg Rev. #	-	Mat'l	ABS PLASTIC OR POLYCARBONATE
Sheet	1	of	1

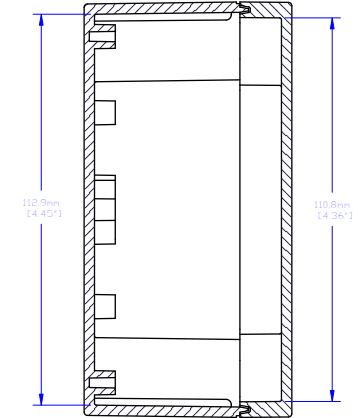
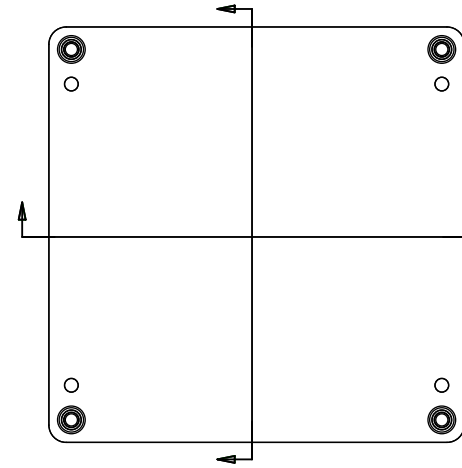
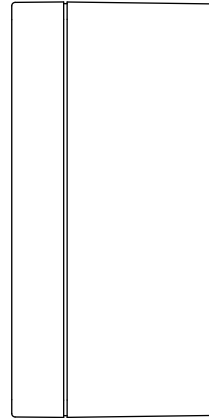
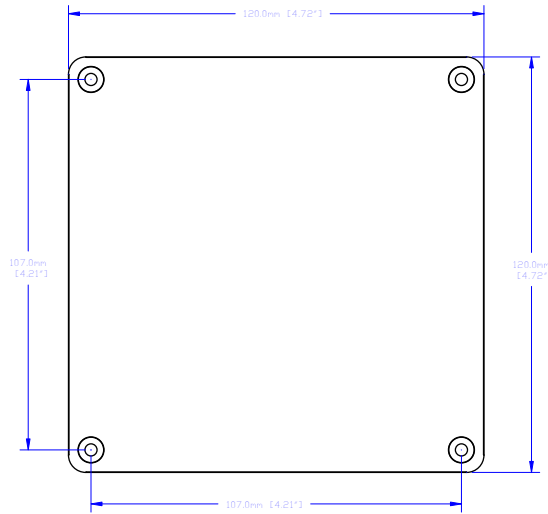
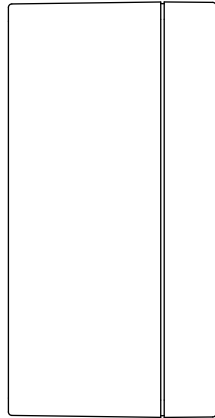
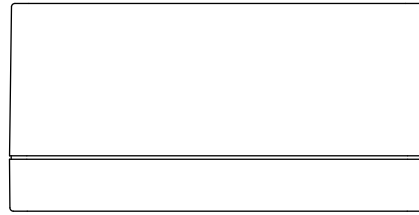
HAMMOND 1554 SERIES

Part#: 1554N

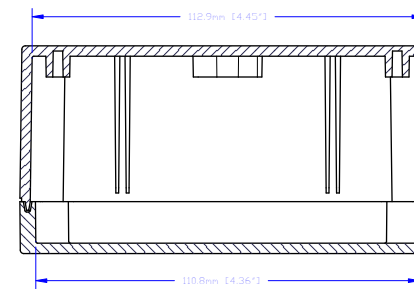
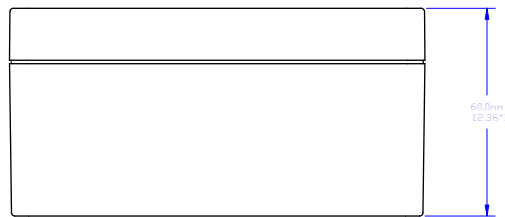
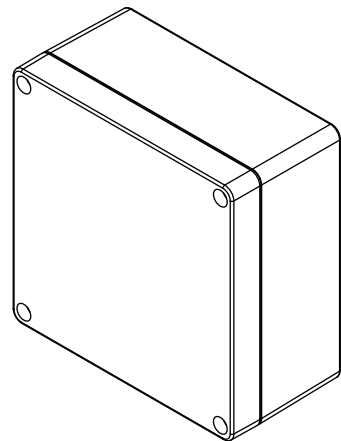
Dwg: 1554N-LID

NOTES

FOR MORE DETAILED INFORMATION GO TO THE HAMMOND WEB SITE



SECTION E-E
SCALE 1 : 1



SECTION D-D
SCALE 1 : 1

For the best fit print on legal size paper.

HM HAMMOND MANUFACTURING CO. LTD.
WY Electronics Group, Waterloo, Ont. - Cheektowaga, NY

VISIT US ON THE WORLD WIDE WEB: WWW.HAMMONDMFG.COM

THIS DRAWING IS PROPRIETARY INFORMATION OF HAMMOND MFG.CO.LTD. NOT TO BE USED WITHOUT EXPRESSED WRITTEN PERMISSION OF HAMMOND MFG.CO.LTD.

Dwg Rev. # -



Mat'l ABS PLASTIC OR POLYCARBONATE

Sheet 1 of 1

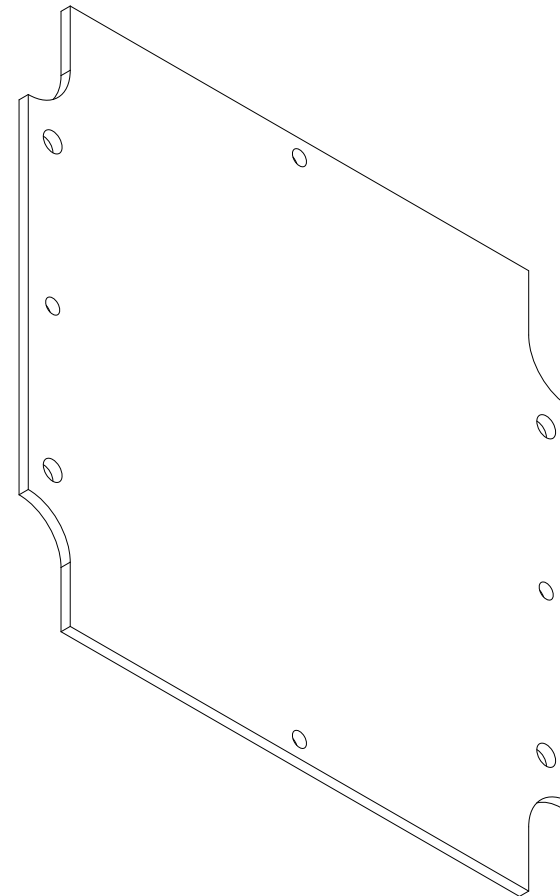
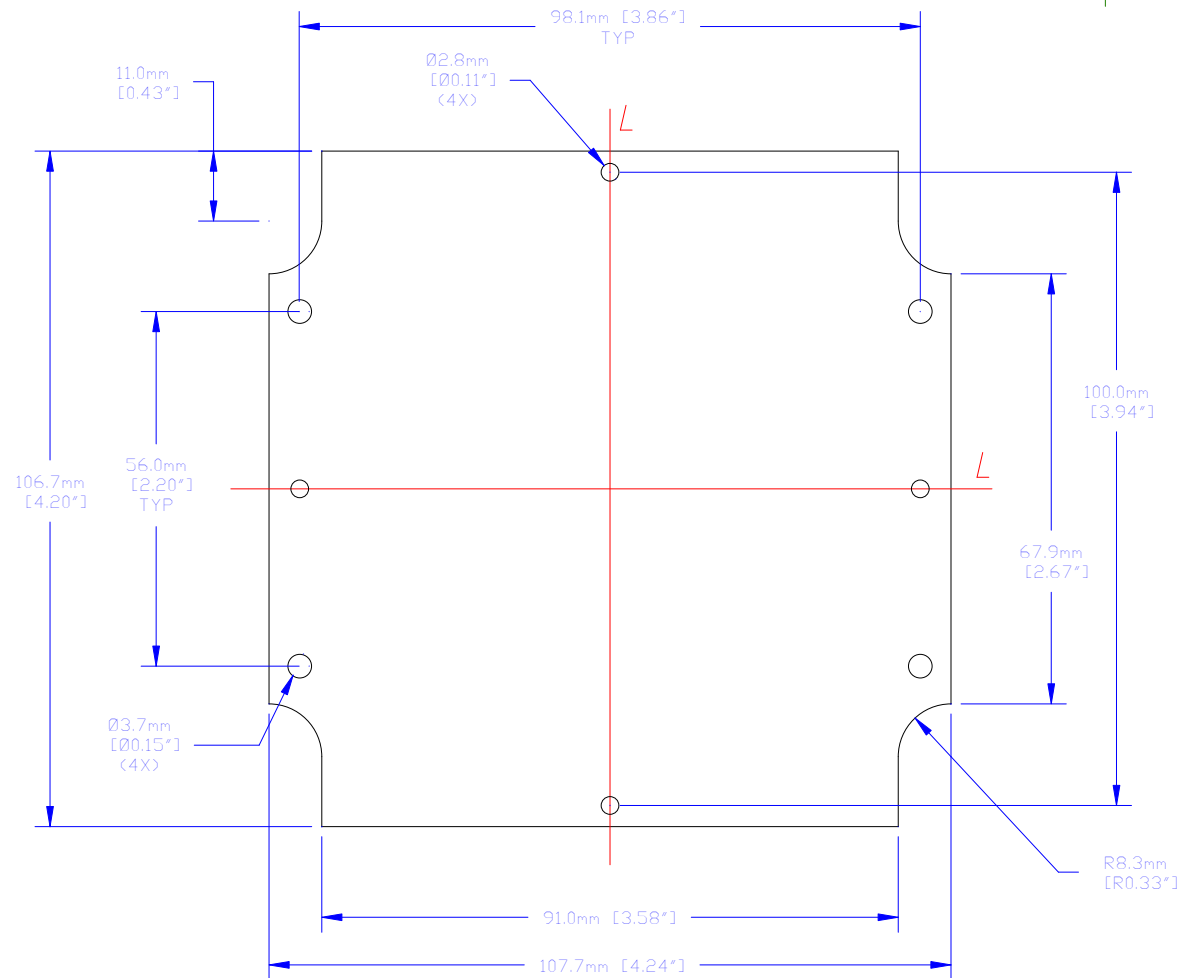
HAMMOND 1554 SERIES

Part#: 1554N

Dwg: 1554N-ASSEM

NOTES

FOR MORE DETAILED INFORMATION GO TO THE HAMMOND WEB SITE



ISOMETRIC VIEW

For the best fit print on legal size paper.

 HAMMOND MANUFACTURING CO. LTD.
Electronics Group, Waterloo, Ont. - Cheektowaga, NY

VISIT US ON THE WORLD WIDE WEB: WWW.HAMMONDMFG.COM

THIS DRAWING IS PROPRIETARY INFORMATION OF HAMMOND MFG.CO.LTD. NOT TO BE USED WITHOUT EXPRESSED WRITTEN PERMISSION OF HAMMOND MFG.CO.LTD.

Dwg Rev. # - Mat'l 14 GA. GALV-STEEL



Sheet 1 of 1

HAMMOND 1554 SERIES

Part#: 1554NPL

Dwg: 1554N-PANEL