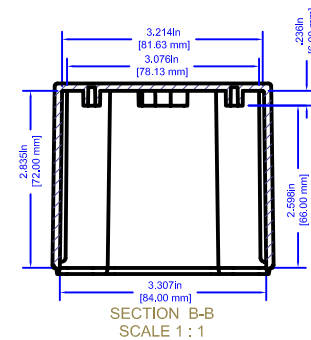
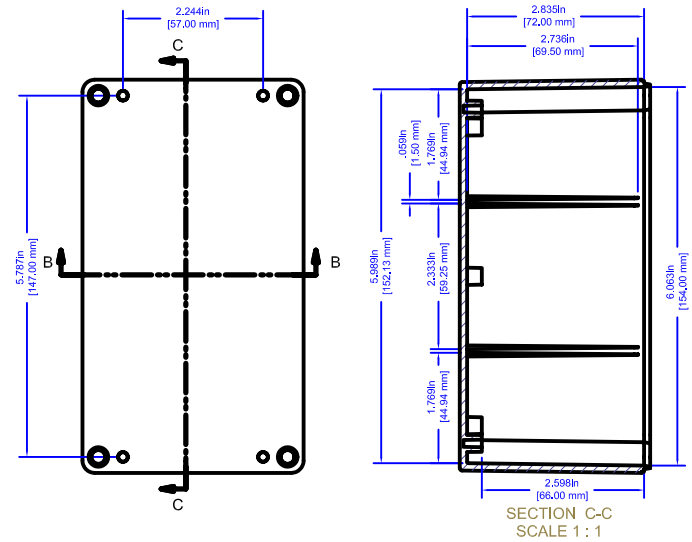
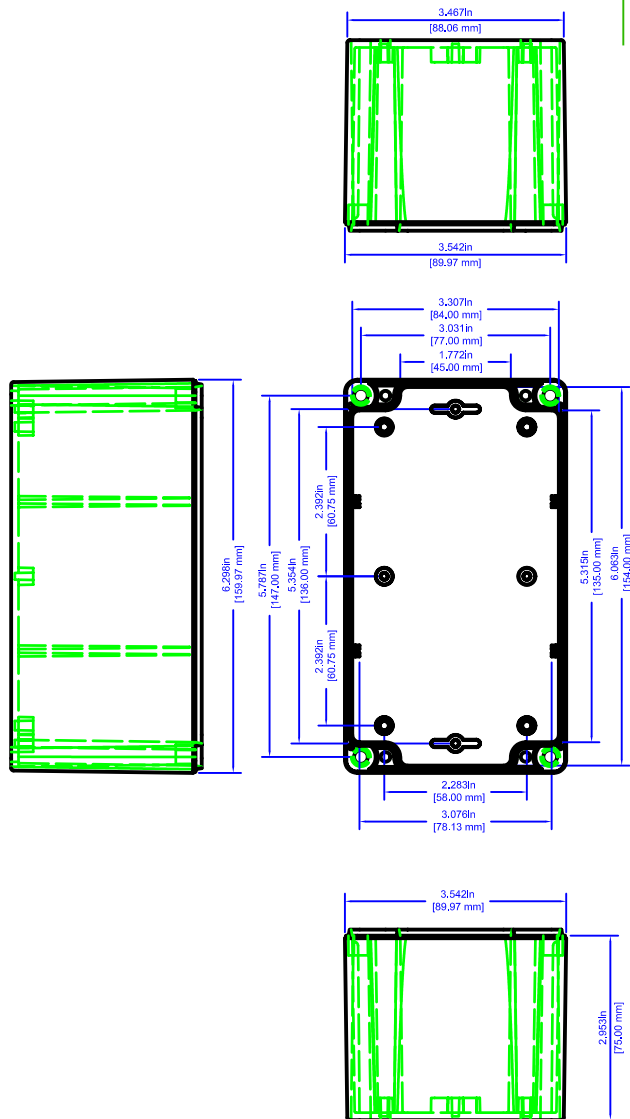


NOTES

FOR CONSTRUCTION DETAILS GO TO WWW.HAMMONDMFG.COM



Unless otherwise specified dimensions are in inches
Tolerances are:

| | |
|--------|---------|
| .X | ± .1 |
| .XX | ± .01 |
| .XXX | ± .002 |
| .XXXX | ± .0001 |
| Holes | ± .002 |
| Angles | ± .5 |

| | |
|-------|-------------------|
| Dwn | R. BOEHLER |
| Date | 05/01/03 |
| Chk | --- |
| Mat'l | ABS POLYCARBONATE |
| Sheet | 1 of 3 |

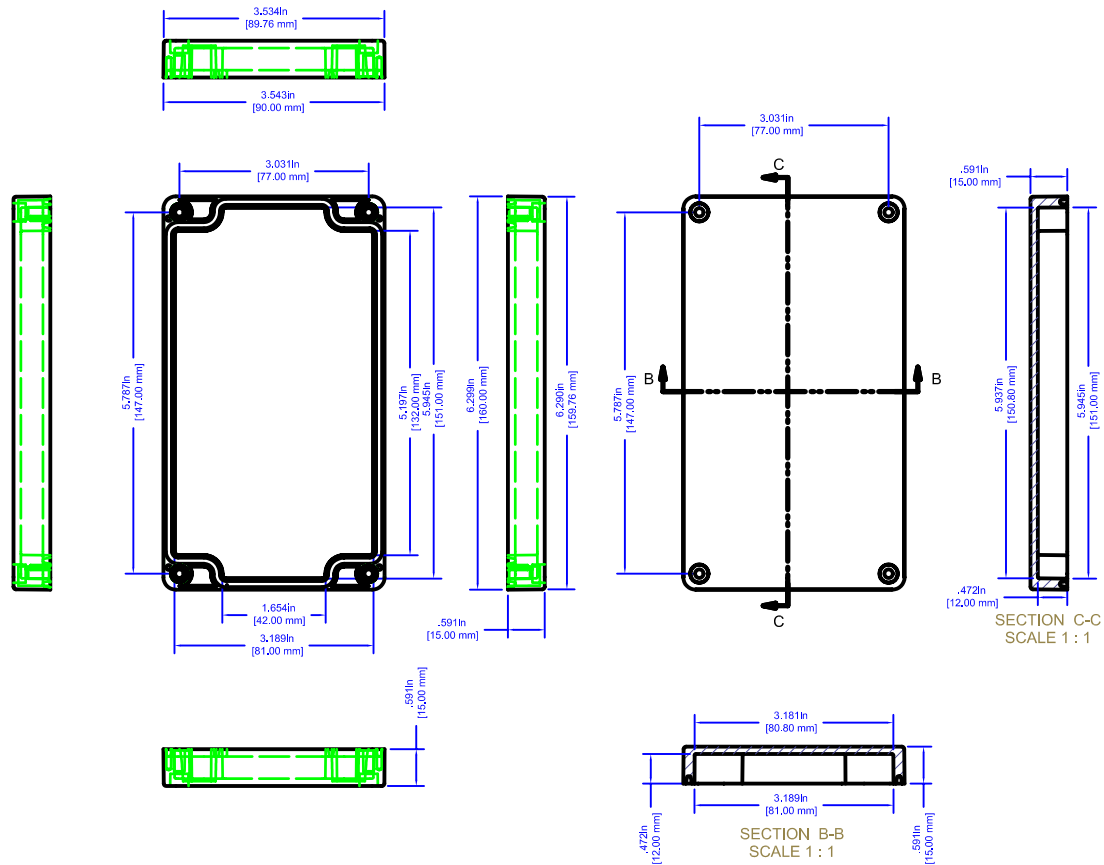
HAMMOND MANUFACTURING CO. LTD.
Electronics Group, Waterloo, Ont. -
Cheektowaga, NY www.hammondmfg.com

HAMMOND 1554 SERIES

Part#: 1554K BOX Dwg: 1554K

THIS DRAWING IS PROPRIETARY INFORMATION OF HAMMOND MFG.CO.LTD. NOT TO BE USED WITHOUT EXPRESSED WRITTEN PERMISSION OF HAMMOND MFG.CO.LTD.

| | | | | | |
|-----|-----|-------------|-----|----------|----|
| Rev | ECN | Description | --- | 05/01/03 | By |
| | N/A | | | | |



SECTION C-C
SCALE 1 : 1

SECTION B-B
SCALE 1 : 1

THIS DRAWING IS PROPRIETARY INFORMATION OF HAMMOND MFG.CO.LTD. NOT TO BE USED WITHOUT EXPRESSED WRITTEN PERMISSION OF HAMMOND MFG.CO.LTD.

| Rev | ECN | Description | Date | By |
|-----|-----|-------------|----------|----|
| | N/A | | 05/01/03 | |

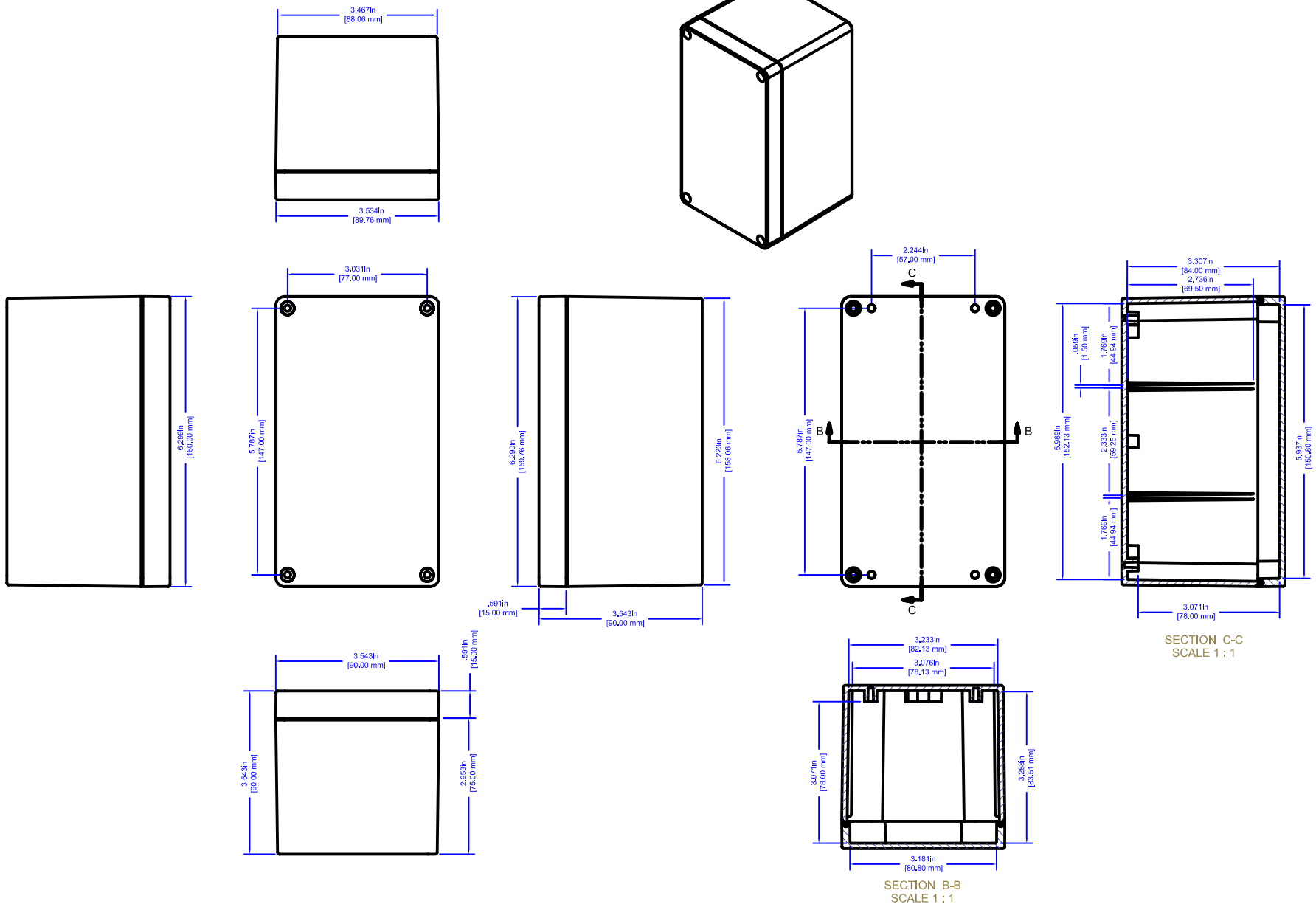
Unless otherwise spec'd dimensions are in inches
Tolerances are:
.X ± .1
.XX ± .01
.XXX ± .002
.XXXX ± .0001
Holes ± .002
Angles ± .5

| | |
|-------|-------------------|
| Dwn | R. BOEHLER |
| Date | 05/01/03 |
| Chk | --- |
| Mat'l | ABS POLYCARBONATE |
| Sheet | 2 of 3 |

HAMMOND MANUFACTURING CO. LTD.
Electronics Group, Waterloo, Ont. -
Cheektowaga, NY www.hammondmg.com

HAMMOND 1554 SERIES

| | | | |
|--------|-----------|------|-------|
| Part#: | 1554K LID | Dwg: | 1554K |
|--------|-----------|------|-------|



SECTION C-C
SCALE 1 : 1

SECTION B-B
SCALE 1 : 1

THIS DRAWING IS PROPRIETARY INFORMATION OF HAMMOND MFG.CO.LTD. NOT TO BE USED WITHOUT EXPRESSED WRITTEN PERMISSION OF HAMMOND MFG.CO.LTD.

| Rev | ECN | Description | Date | By |
|-----|-----|-------------|----------|----|
| | N/A | | 05/01/03 | |

Unless otherwise spec'd dimensions are in inches
Tolerances are:
.X ± .1
.XX ± .01
.XXX ± .002
.XXXX ± .0001
Holes ± .002
Angles ± .5

| | |
|-------|-------------------|
| Dwn | R. BOEHLER |
| Date | 05/01/03 |
| Chk | --- |
| Mat'l | ABS POLYCARBONATE |
| Sheet | 3 of 3 |

HAMMOND MANUFACTURING CO. LTD.
Electronics Group, Waterloo, Ont. -
Cheektowaga, NY www.hammondmfg.com

HAMMOND 1554 SERIES

| | | | |
|--------|-----------|------|-------|
| Part#: | ASSEMBLED | Dwg: | 1554K |
|--------|-----------|------|-------|