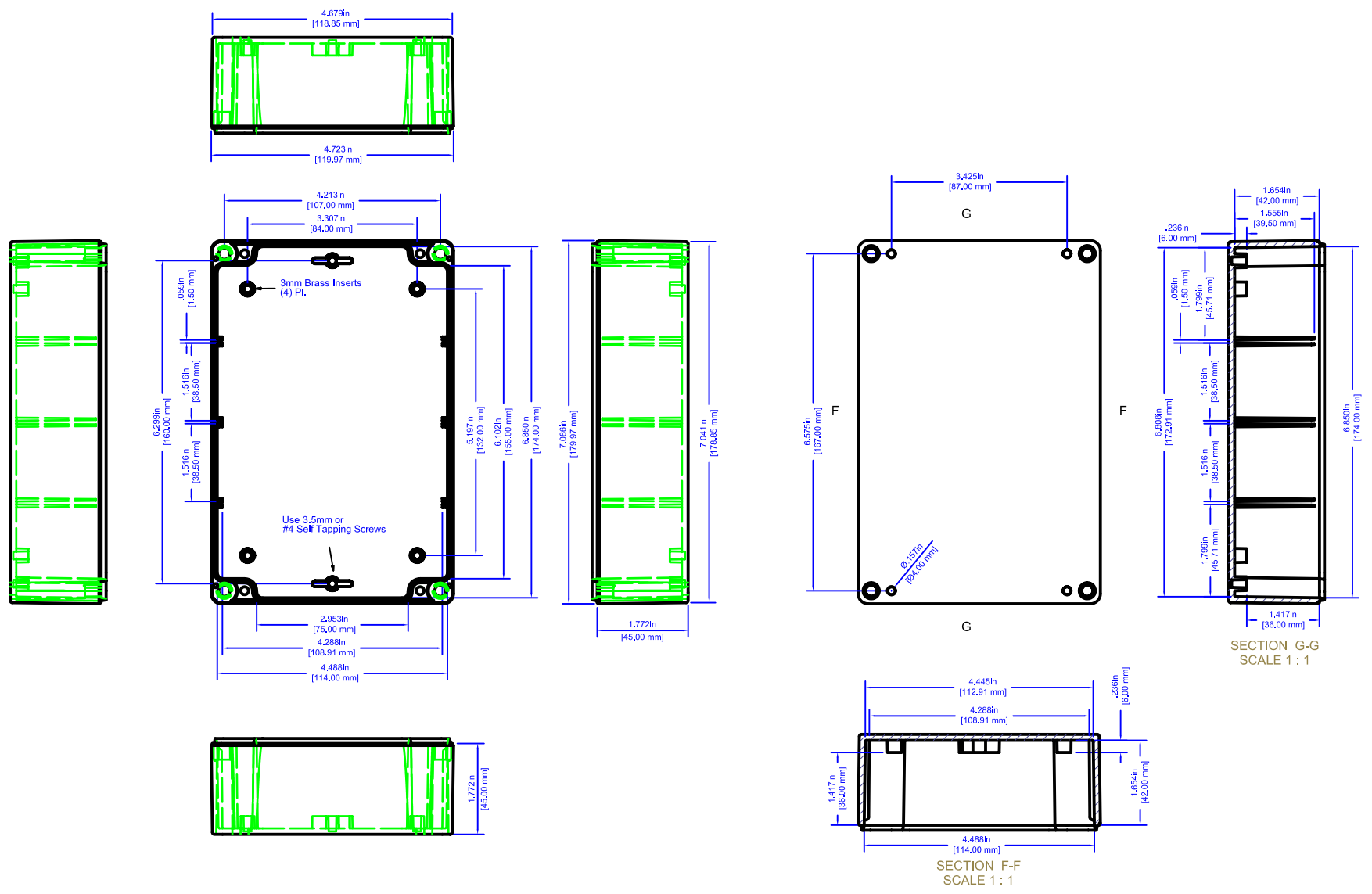


NOTES

FOR CONSTRUCTION DETAILS GO TO [WWW.HAMMONDMFG.COM](http://WWW.HAMMONDMFG.COM)



THIS DRAWING IS PROPRIETARY INFORMATION OF HAMMOND MFG.CO.LTD. NOT TO BE USED WITHOUT EXPRESSED WRITTEN PERMISSION OF HAMMOND MFG.CO.LTD.

△	N/A	REVISION	----	05/01/03	
Rev	ECN	Description		Date	By

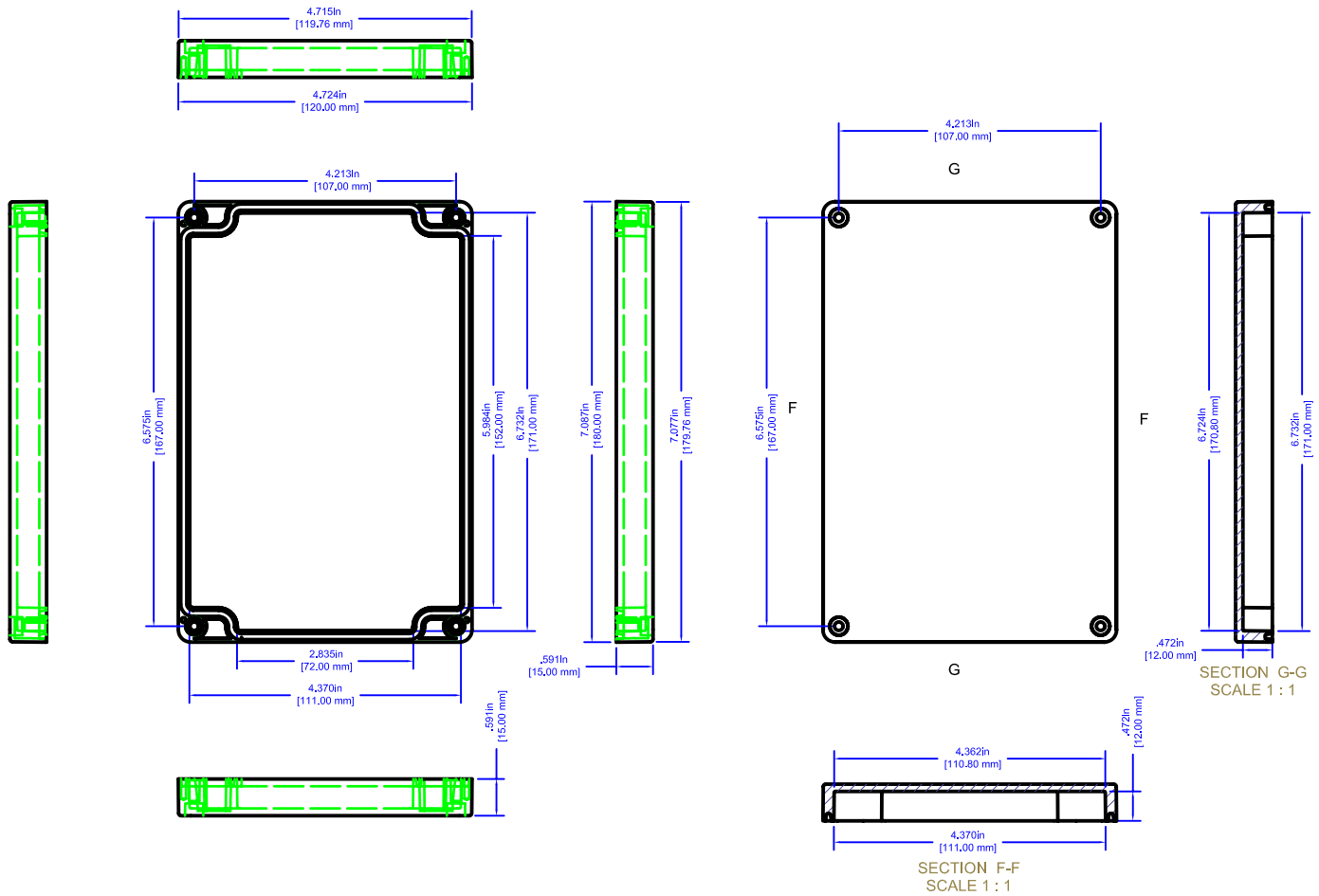
Unless otherwise spec'd dimensions are in inches  
Tolerances are:  
.X ± .1  
.XX ± .01  
.XXX ± .002  
.XXXX ± .0001  
Holes ± .002  
Angles ± .5

Dwn	R. BOEHLER
Date	05/01/03
Chk	---
Mat'l	ABS POLYCARBONATE
Sheet	1 of 3

HAMMOND MANUFACTURING CO. LTD.  
Electronics Group, Waterloo, Ont. -  
Cheektowaga, NY [www.hammondmfg.com](http://www.hammondmfg.com)

HAMMOND 1554 SERIES

Part#: 1554H BOX Dwg: 1554H



Unless otherwise spec'd  
 dimensions are in inches  
 Tolerances are:

.X ± .1  
 .XX ± .01  
 .XXX ± .002  
 .XXXX ± .0001  
 Holes ± .002  
 Angles ± .5

Dwn	R. BOEHLER
Date	05/01/03
Chk	---
Mat'l	ABS POLYCARBONATE
Sheet	1 of 3

**HAMMOND MANUFACTURING CO. LTD.**  
 Electronics Group, Waterloo, Ont. -  
 Cheektowaga, NY [www.hammondmfg.com](http://www.hammondmfg.com)

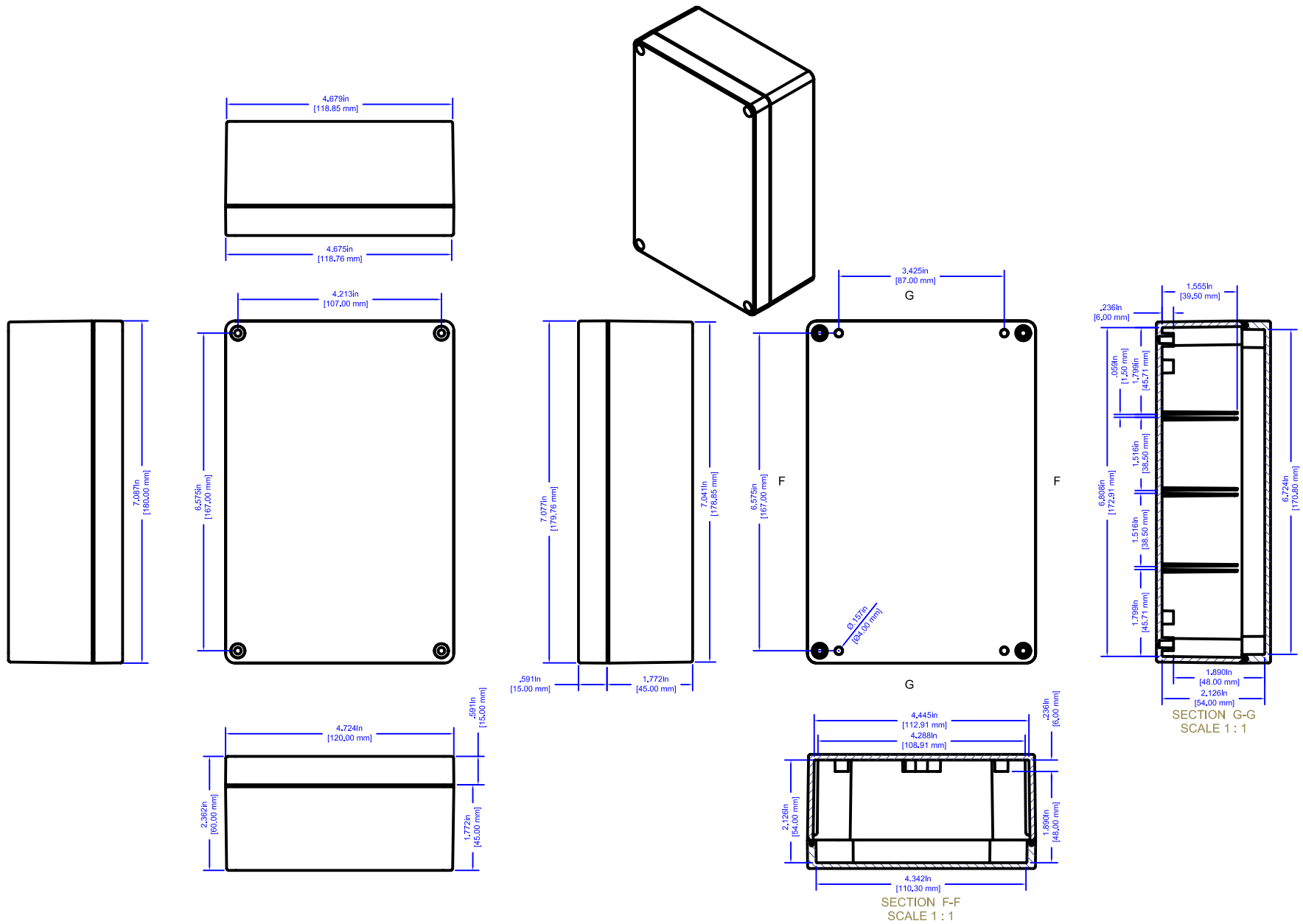
## HAMMOND 1554 SERIES

Part#: 1554H LID Dwg: 1554H

THIS DRAWING IS PROPRIETARY INFORMATION  
 OF HAMMOND MFG.CO.LTD. NOT TO BE USED  
 WITHOUT EXPRESSED WRITTEN PERMISSION  
 OF HAMMOND MFG.CO.LTD.

△	N/A		----	05/01/03	
Rev	ECN	Description		Date	By





THIS DRAWING IS PROPRIETARY INFORMATION OF HAMMOND MFG.CO.LTD. NOT TO BE USED WITHOUT EXPRESSED WRITTEN PERMISSION OF HAMMOND MFG.CO.LTD.

△	N/A	REVISION	----	05/01/03	
Rev	ECN	Description		Date	By

Unless otherwise spec'd dimensions are in inches  
Tolerances are:  
.X ± .1  
.XX ± .01  
.XXX ± .002  
.XXXX ± .0001  
Holes ± .002  
Angles ± .5

Dwn	R. BOEHLER
Date	05/01/03
Chk	---
Mat'l	ABS POLYCARBONATE
Sheet	1 of 3

HAMMOND MANUFACTURING CO. LTD.  
Electronics Group, Waterloo, Ont. -  
Cheektowaga, NY www.hammondmfg.com

HAMMOND 1554 SERIES

Part#: ASSEMBLED Dwg: 1554H