



THIS DRAWING IS PROPRIETARY INFORMATION OF HAMMOND MFG.CO.LTD. NOT TO BE USED WITHOUT EXPRESSED WRITTEN PERMISSION OF HAMMOND MFG.CO.LTD.

Rev	△	N/A	ECN	Description	----	Date	05/01/03	By
-----	---	-----	-----	-------------	------	------	----------	----

Unless otherwise specified dimensions are in inches  
Tolerances are:

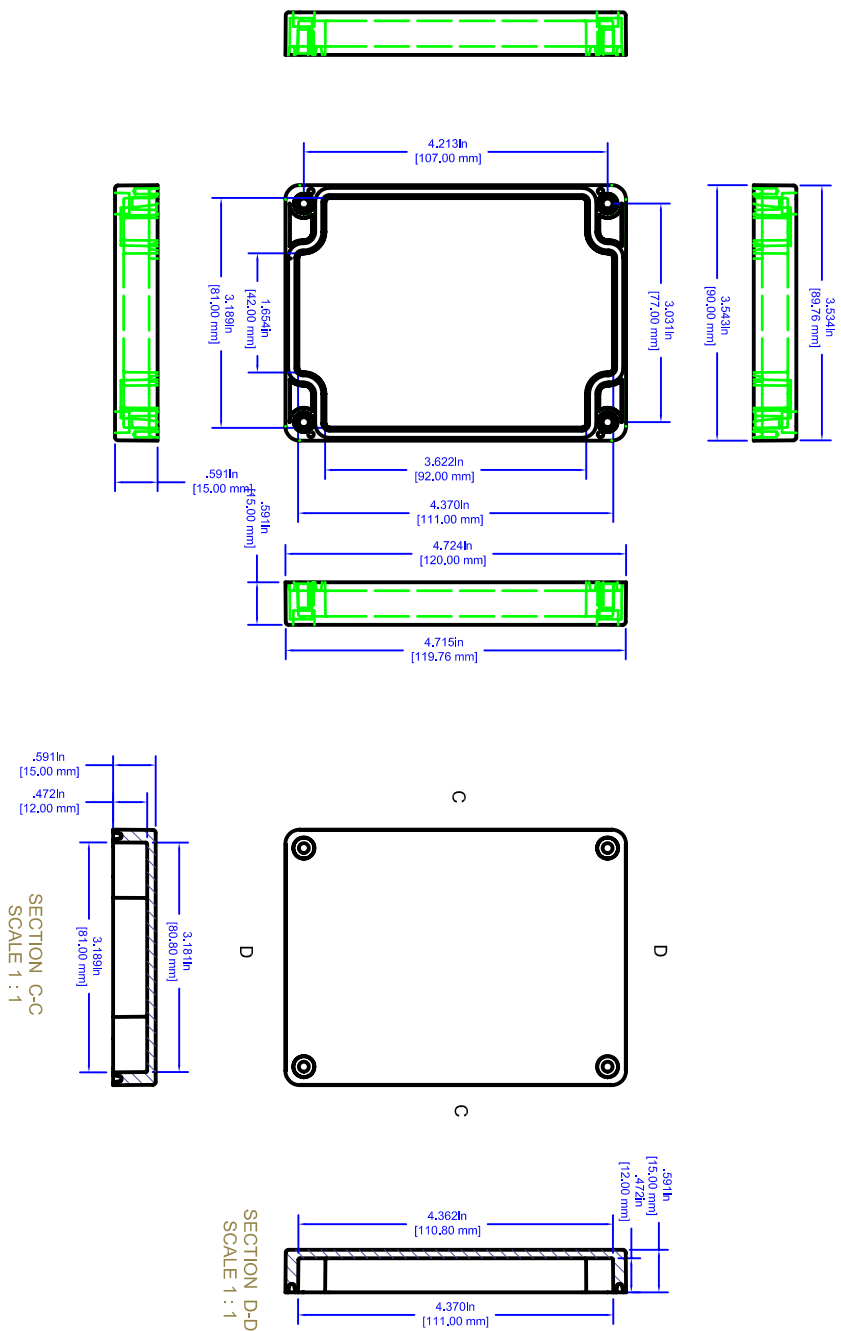
X	± .1
XX	± .01
XXX	± .002
XXXX	± .001
Holes	± .002
Angles	± .5

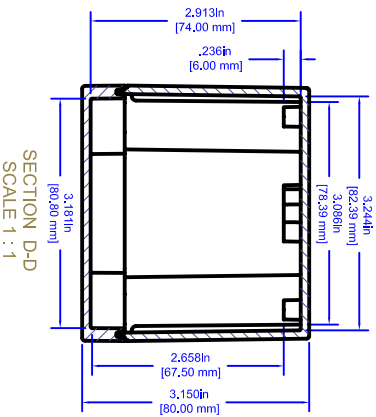
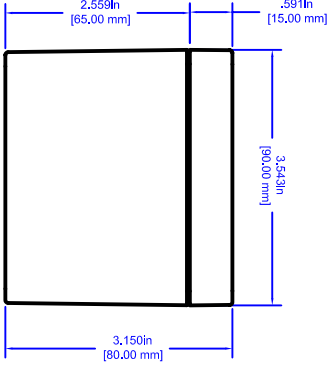
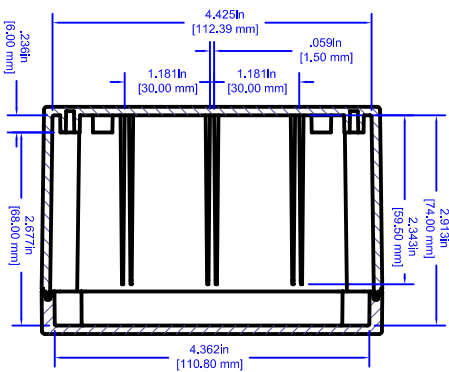
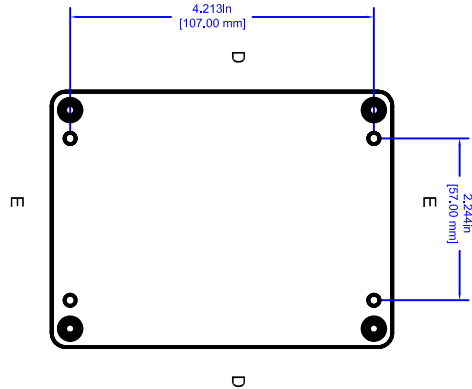
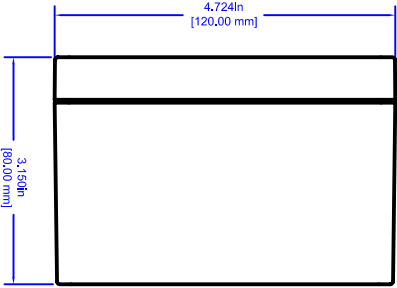
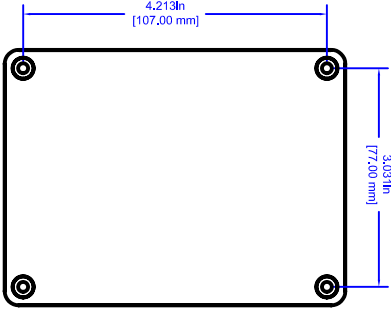
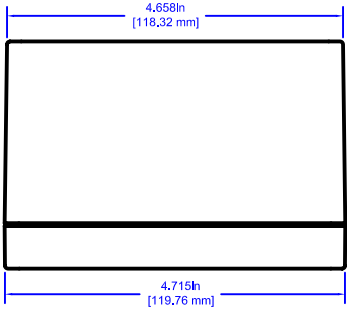
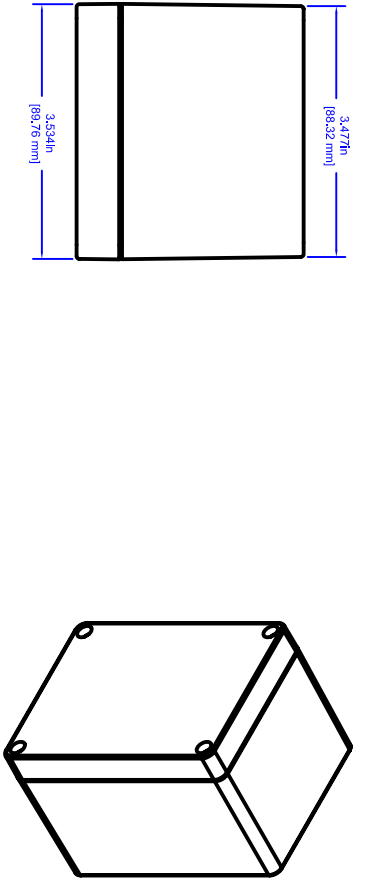
Dwn	R. BOEHLER
Date	05/01/03
Chk	...
Matt'l	ABS POLYCARBONATE
Sheet	2 of 3

**HAMMOND MANUFACTURING CO. LTD.**  
 Electronics Group, Waterloo, Ont. -  
 Chertowago, NY www.hammondmfg.com

**HAMMOND 1554 SERIES**

Part #: 1554G LID Dwg: 1554G





SECTION D-D  
SCALE 1 : 1

SECTION E-E  
SCALE 1 : 1

THIS DRAWING IS PROPRIETARY INFORMATION OF HAMMOND MFG.CO.LTD. NOT TO BE USED WITHOUT EXPRESSED WRITTEN PERMISSION OF HAMMOND MFG.CO.LTD.

Rev	ECN	Description	Date	By
△	N/A	REVISION	05/01/03	

Dimension	Tolerance
X	± .1
XX	± .01
XXX	± .002
XXXX	± .0001
Holes	± .002
Angles	± .5

Drawn	R. BOEHLER	Checked	AS
Date	05/01/03	Material	POLYCARBONATE
Part #	ASSEMBLED	Dwg #	1554G

HAMMOND MANUFACTURING CO. LTD.  
Electronics Group, Watertown, Dnt. -  
Greentown, NY www.hammondrf.com

HAMMOND 1554 SERIES