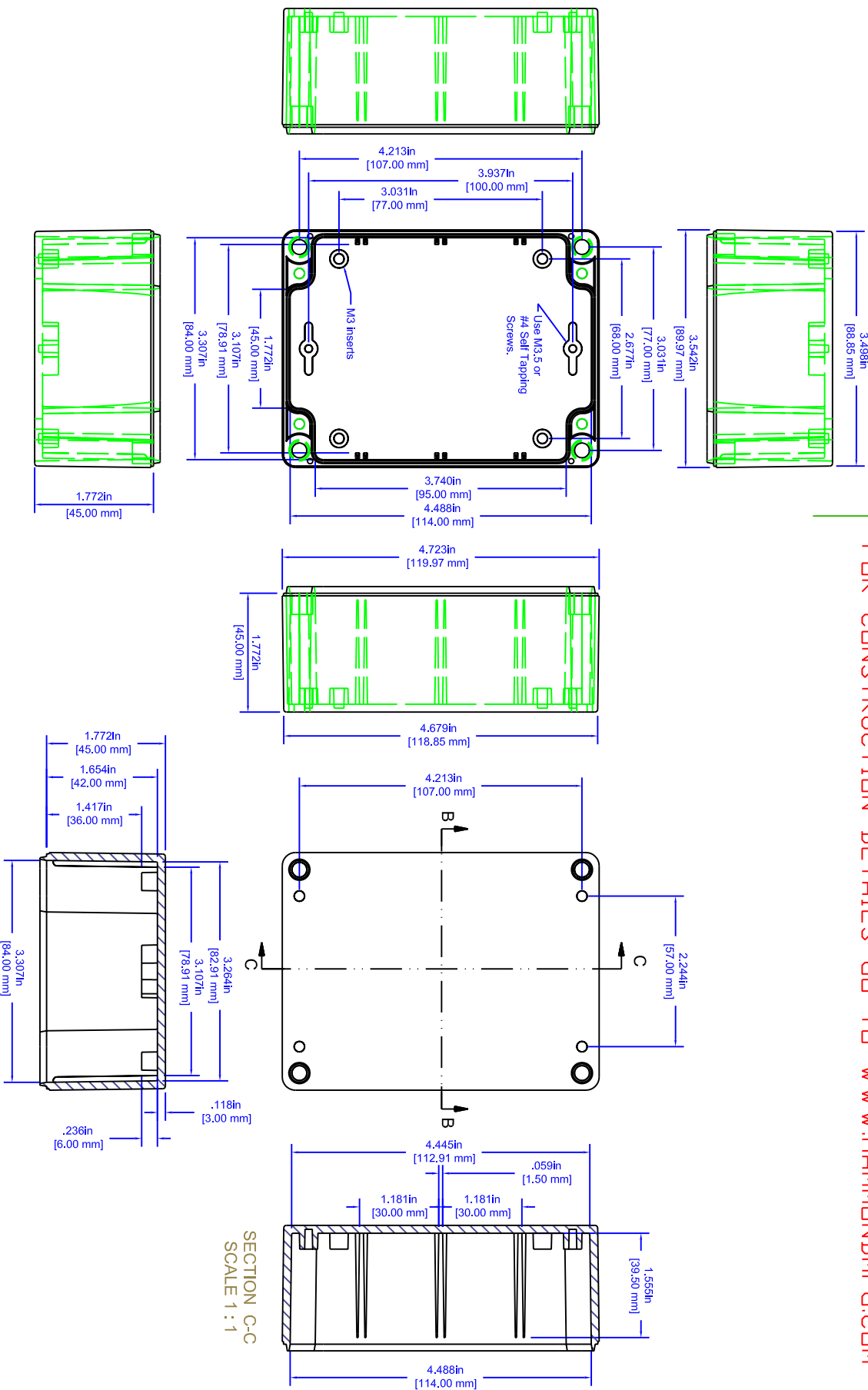


NOTES

FOR CONSTRUCTION DETAILS GO TO [WWW.HAMMONDMFG.COM](http://WWW.HAMMONDMFG.COM)



THIS DRAWING IS PROPRIETARY INFORMATION OF HAMMOND MFG.CO.LTD. NOT TO BE USED WITHOUT EXPRESSED WRITTEN PERMISSION OF HAMMOND MFG.CO.LTD.

Rev	ECN	Description	Date	By
△	N/A	REVISION	05/01/03	

Unless otherwise specified dimensions are in inches		Tolerances are:	
X	± .1	Dwn	R. BOEHLER
XX	± .01	Date	05/01/03
XXX	± .002	Chk	...
XXXX	± .0001	Matl	ALCVCARBONATE
Holes	± .002	Sheet	1 of 3
Angles	± .5	Part#:	1554F BOX
		Dwg:	1554F

**HAMMOND MANUFACTURING CO. LTD.**  
 HAMMOND Electronics Group, Waterloo, Ont. -  
 Chesham, N.Y. www.hammondmfg.com

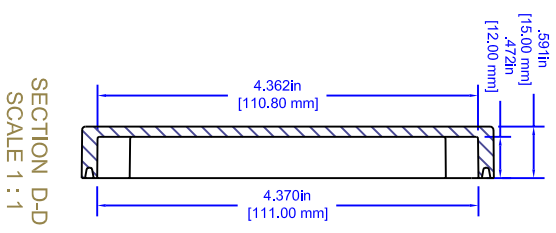
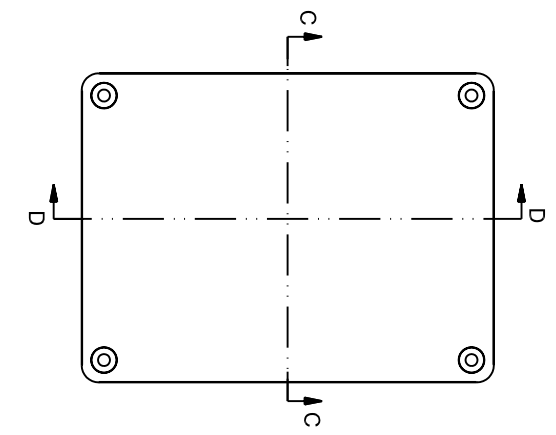
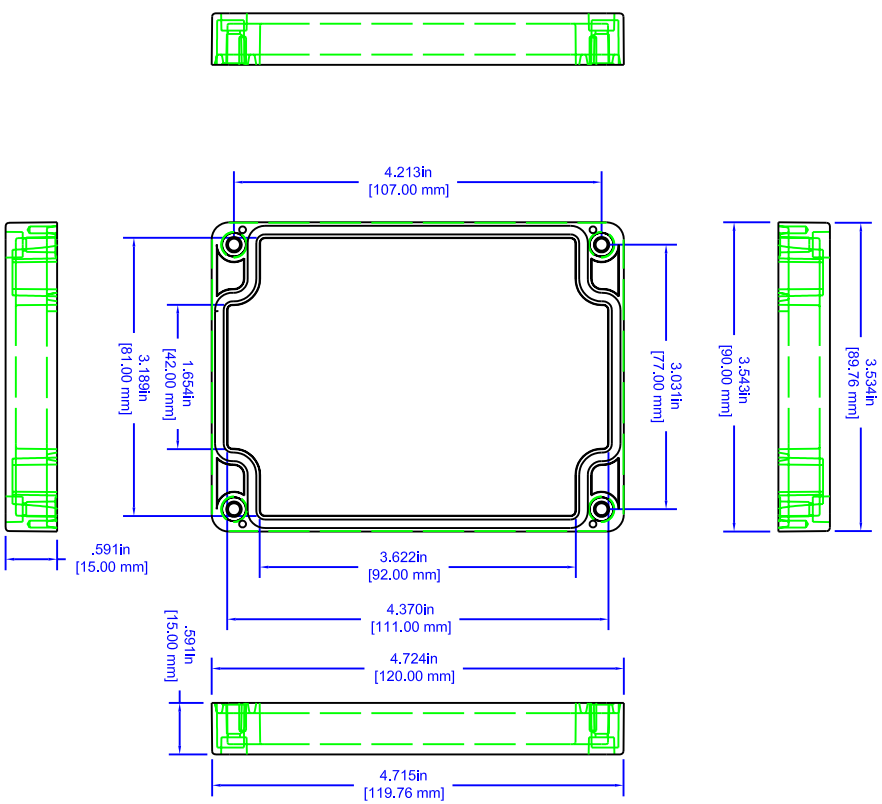
**HAMMOND 1554 SERIES**

THIS DRAWING IS PROPRIETARY INFORMATION OF HAMMOND MFG.CO.LTD. NOT TO BE USED WITHOUT EXPRESSED WRITTEN PERMISSION OF HAMMOND MFG.CO.LTD.

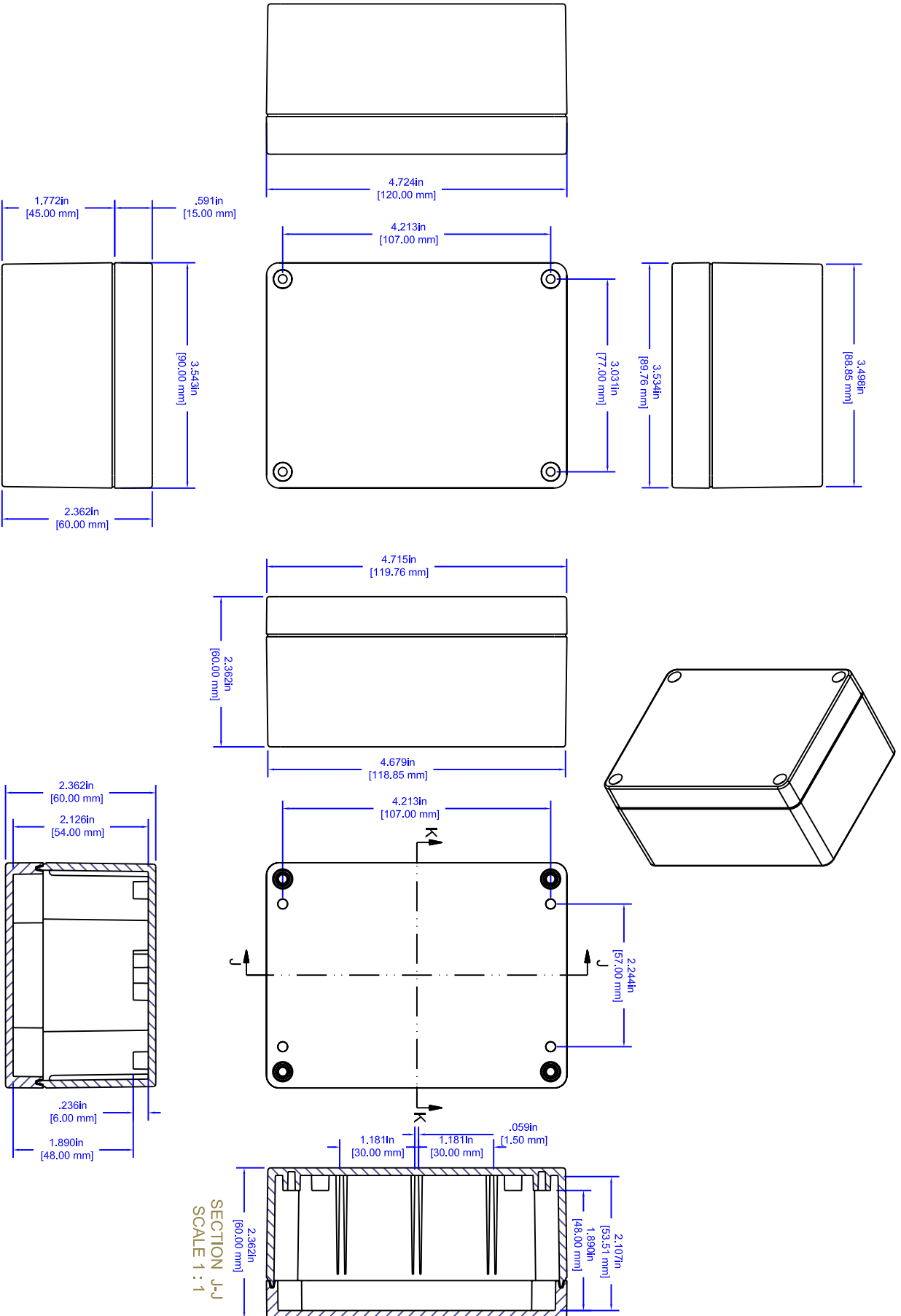
Rev	ECN	Description	Date	By
△	N/A	REVISION	05/01/03	

Unless otherwise specified dimensions are in inches Tolerances are: X ± .1 XX ± .01 XXX ± .002 XXXX ± .0001 Holes ± .002 Angles ± .5		Dwn	R. BOEHLER
Date	05/01/03	Mat'l	ABS POLYCARBONATE
Sheet	2 of 3	Part#:	1554F BOX

HAMMOND MANUFACTURING CO. LTD.  
 Electronics Group, Waterloo, Ont. -  
 Chesham, Ontario, NY www.hammondmfg.com  
**HAMMOND 1554 SERIES**  
 Dwg: 1554F



THIS DRAWING IS PROPRIETARY INFORMATION OF HAMMOND MFG.CO.LTD. NOT TO BE USED WITHOUT EXPRESSED WRITTEN PERMISSION OF HAMMOND MFG.CO.LTD.



SECTION K-K  
SCALE 1 : 1

SECTION J-J  
SCALE 1 : 1

Unless otherwise specified dimensions are in inches  
Tolerances are:

- X ± .1
- XX ± .01
- XXX ± .002
- XXXX ± .001
- Holes ± .002
- Angles ± .5

Rev	ECN	Description	Date	By
△	N/A	REVISION	05/01/03	

Dwn	Date	Chk	Matt'l	Sheet
R. BOEHLER	05/01/03	...	ABS POLYCARBONATE	3 of 3

HAMMOND MANUFACTURING CO. LTD.  
Electronics Group, Waterloo, Ont. -  
Greenwich, NY www.hammondmg.com

Part #: 1554F BOX Dwg: 1554F

HAMMOND 1554 SERIES