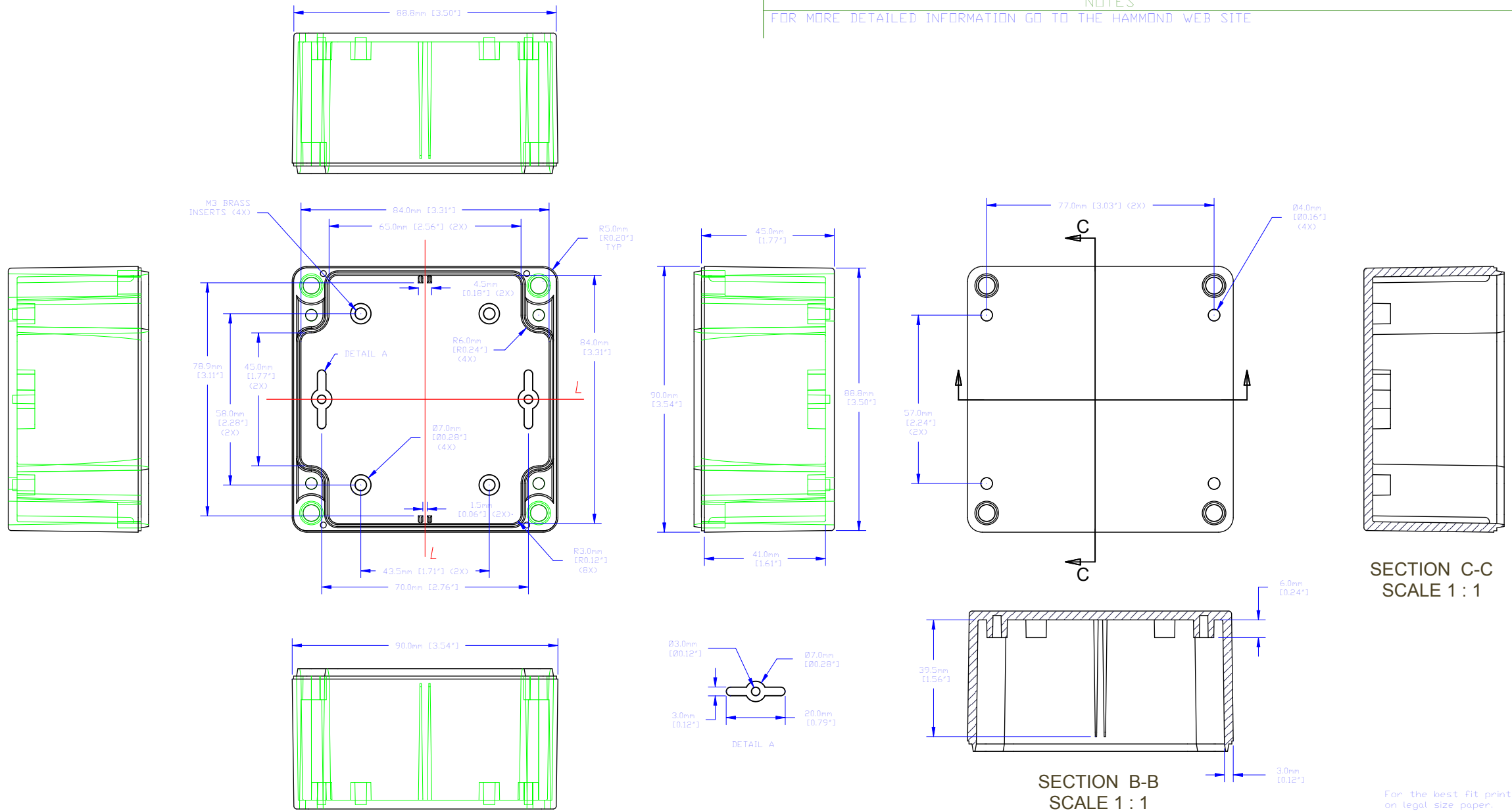


NOTES

FOR MORE DETAILED INFORMATION GO TO THE HAMMOND WEB SITE



SECTION C-C
SCALE 1 : 1

SECTION B-B
SCALE 1 : 1

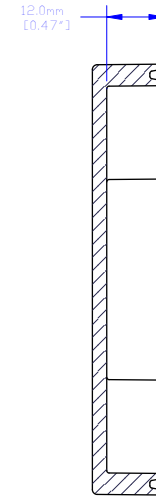
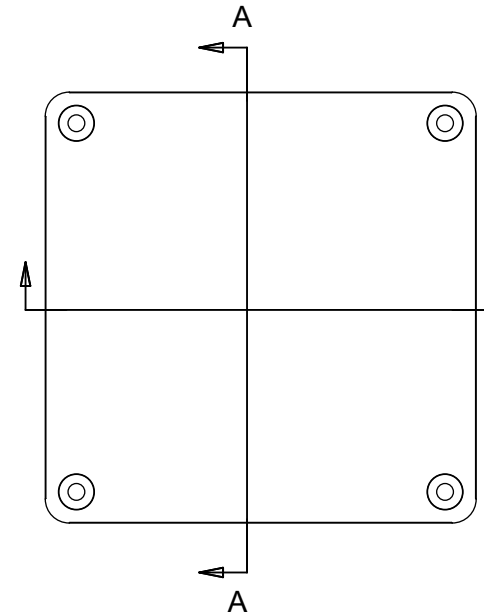
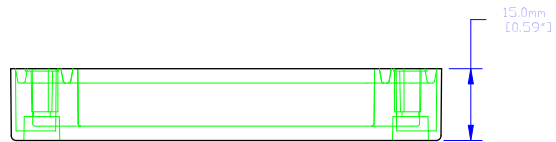
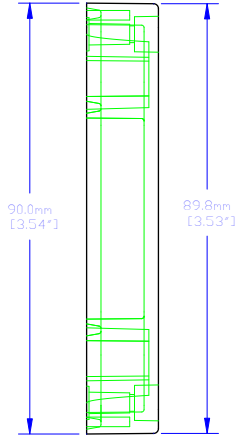
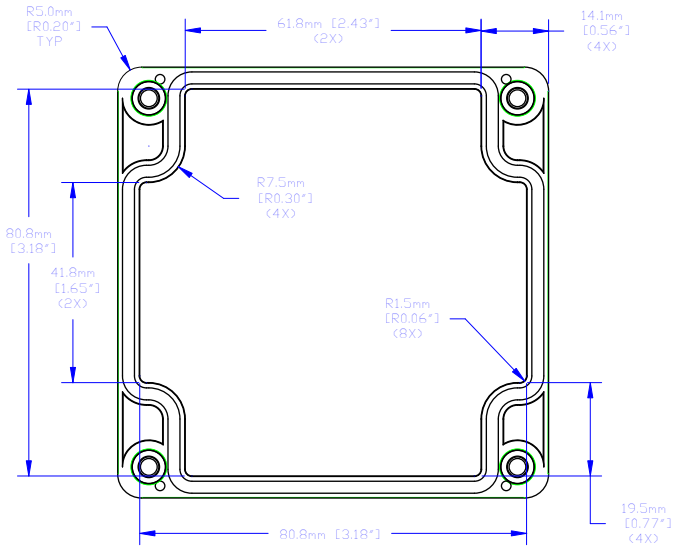
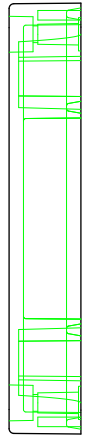
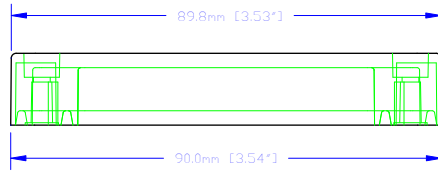
For the best fit print on legal size paper.

HAMMOND MANUFACTURING CO. LTD.
Electronics Group, Waterloo, Ont. - Cheektowaga, NY

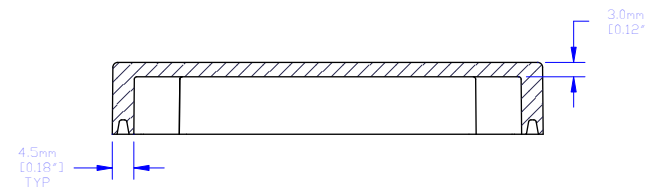
VISIT US ON THE WORLD WIDE WEB: WWW.HAMMONDMFG.COM		HAMMOND 1554 SERIES	
THIS DRAWING IS PROPRIETARY INFORMATION OF HAMMOND MFG.CO.LTD. NOT TO BE USED WITHOUT EXPRESSED WRITTEN PERMISSION OF HAMMOND MFG.CO.LTD.	Dwg Rev. # -	Mat'l ABS PLASTIC OR POLYCARBONATE	Part#: 1554E
	⊕	Sheet 1 of 4	Dwg: 1554E-BOX

NOTES

FOR MORE DETAILED INFORMATION GO TO THE HAMMOND WEB SITE



SECTION A-A
SCALE 1 : 1



SECTION B-B
SCALE 1 : 1

For the best fit print on legal size paper.

VISIT US ON THE WORLD WIDE WEB: WWW.HAMMONDMFG.COM

HAMMOND MANUFACTURING CO., LTD.
Electronics Group, Waterloo, Ont. - Cheektowaga, NY

THIS DRAWING IS PROPRIETARY INFORMATION OF HAMMOND MFG.CO.LTD. NOT TO BE USED WITHOUT EXPRESSED WRITTEN PERMISSION OF HAMMOND MFG.CO.LTD.

Dwg Rev. # -

Mat'l ABS PLASTIC OR POLYCARBONATE
 Sheet 1 of 1

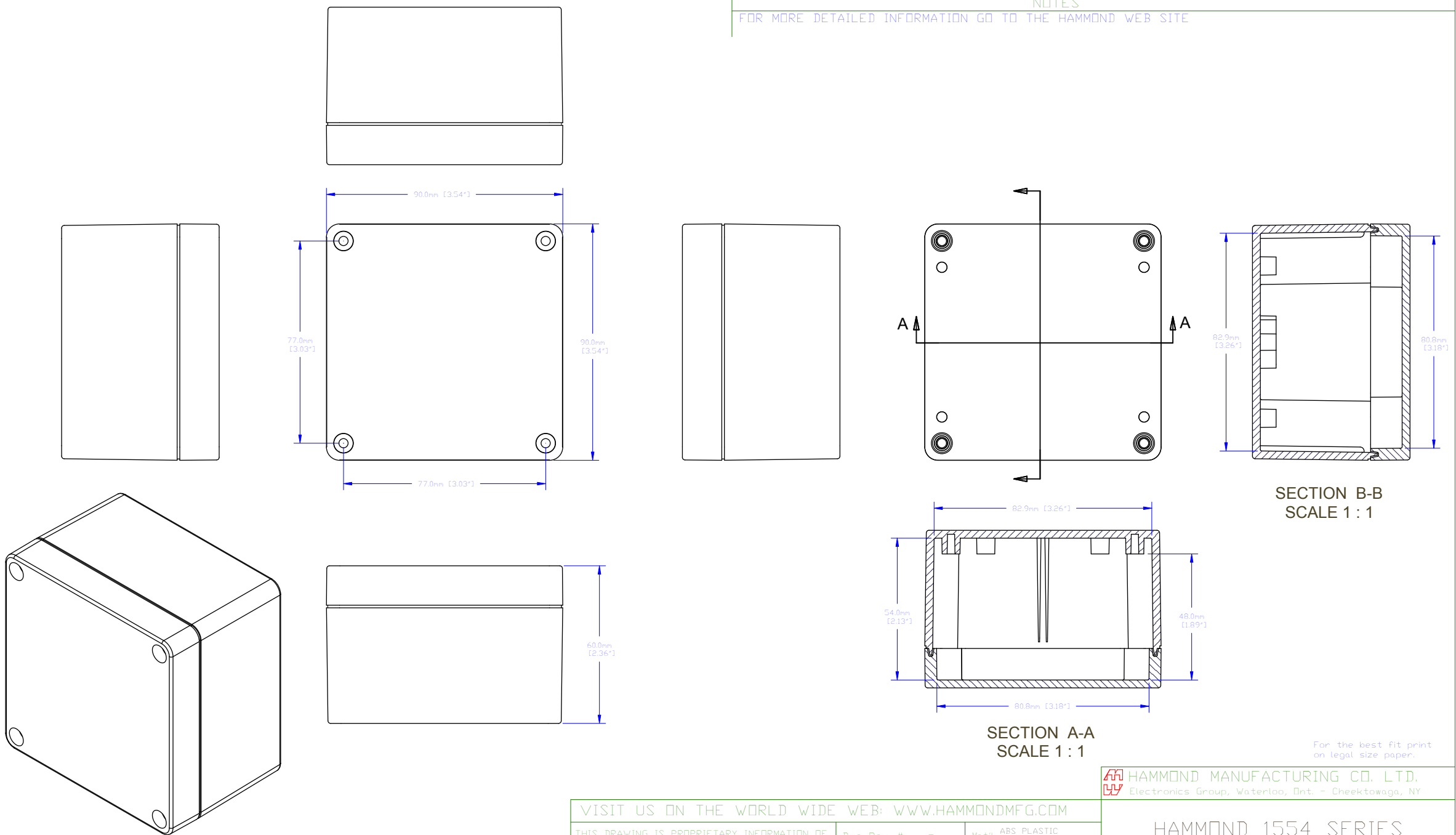
HAMMOND 1554 SERIES

Part#: 1554E

Dwg: 1554E-LID

NOTES

FOR MORE DETAILED INFORMATION GO TO THE HAMMOND WEB SITE



SECTION B-B
SCALE 1 : 1

SECTION A-A
SCALE 1 : 1

For the best fit print on legal size paper.

VISIT US ON THE WORLD WIDE WEB: WWW.HAMMONDMFG.COM

HAMMOND MANUFACTURING CO. LTD.
Electronics Group, Waterloo, Ont. - Cheektowaga, NY

THIS DRAWING IS PROPRIETARY INFORMATION OF HAMMOND MFG.CO.LTD. NOT TO BE USED WITHOUT EXPRESSED WRITTEN PERMISSION OF HAMMOND MFG.CO.LTD.

Dwg Rev. # -


Mat1 ABS PLASTIC OR POLYCARBONATE
 Sheet 1 of 1

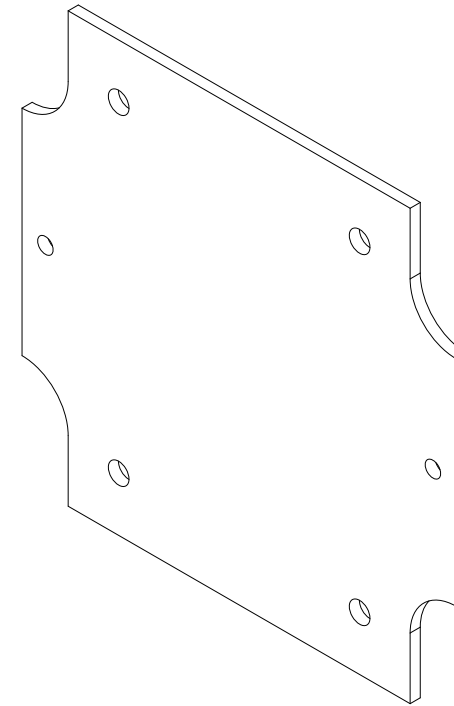
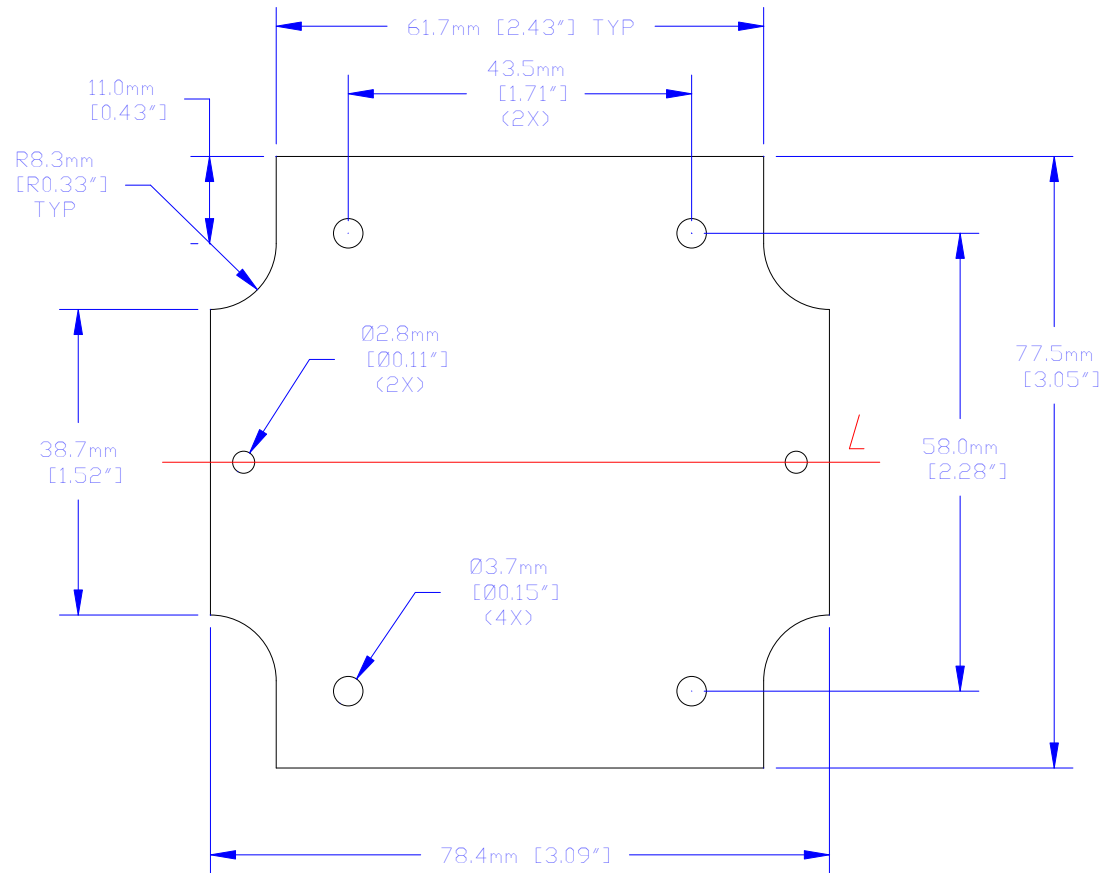
HAMMOND 1554 SERIES

Part#: 1554E

Dwg: 1554E-ASSEM

NOTES

FOR MORE DETAILED INFORMATION GO TO THE HAMMOND WEB SITE



For the best fit print on legal size paper.

 HAMMOND MANUFACTURING CO. LTD.
Electronics Group, Waterloo, Ont. - Cheektowaga, NY

VISIT US ON THE WORLD WIDE WEB: WWW.HAMMONDMFG.COM

THIS DRAWING IS PROPRIETARY INFORMATION OF HAMMOND MFG.CO.LTD. NOT TO BE USED WITHOUT EXPRESSED WRITTEN PERMISSION OF HAMMOND MFG.CO.LTD.

Dwg Rev. # -

Mat'l 14 GA. GALV-STEEL



Sheet 4 of 4

HAMMOND 1554 SERIES

Part#: 1554EPL

Dwg: 1554E-PANEL