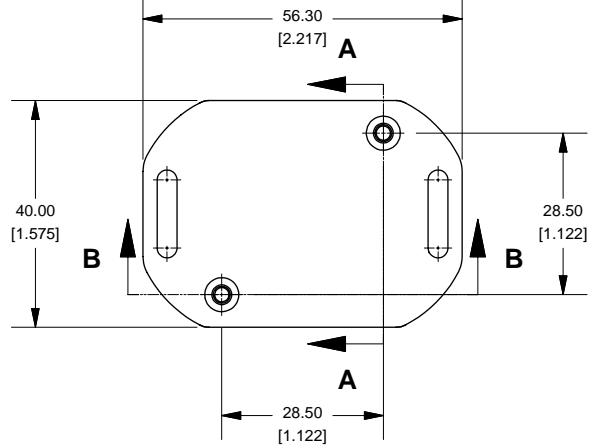
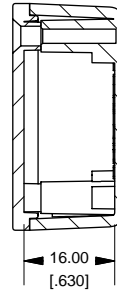


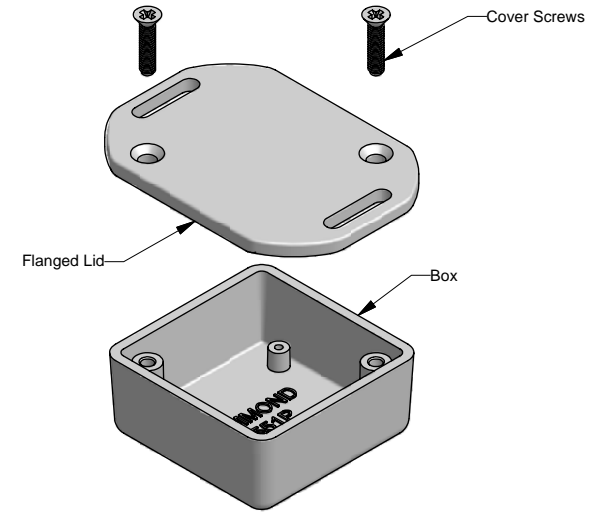
Top View of Assembly



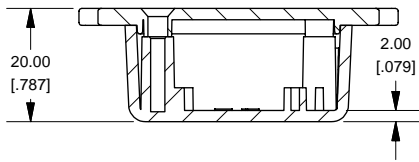
SECTION A-A End View of Assembly



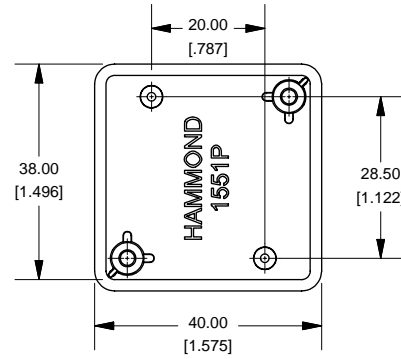
1551PFL (Flanged Lid)



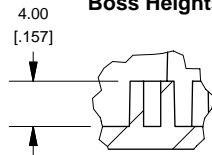
SECTION B-B Side View of Assembly



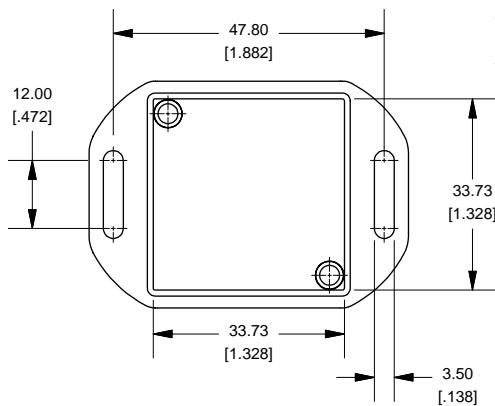
Top View Looking Inside Box



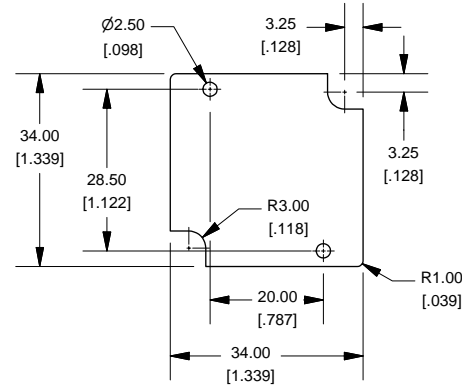
SECTION C-C Boss Heights



Lid



Maximum P.C. Board Size



NOTE
Purchased assembly includes lid and box made from GP ABS material and cover screws.

| 1551PFL | |
|--|----------------------|
| 1551PFL Enclosure | |
| Black Enclosure - RAL 7011 | 1551PFLBK |
| Gray Enclosure - RAL 7035 | 1551PFLGY |
| ACCESSORIES | |
| Black Enclosure Cover Screws (Pkg 100) [#4 X 1/2" Self Tapping] | 1591TS100BK |
| Gray Enclosure Cover Screws (Pkg 100) [#4 X 1/2" Self Tapping] | 1591TS100 |
| P.C. Board Screws [#2 X 3/16" Self-Tapping] | 1551ATS100 (Pkg 100) |

